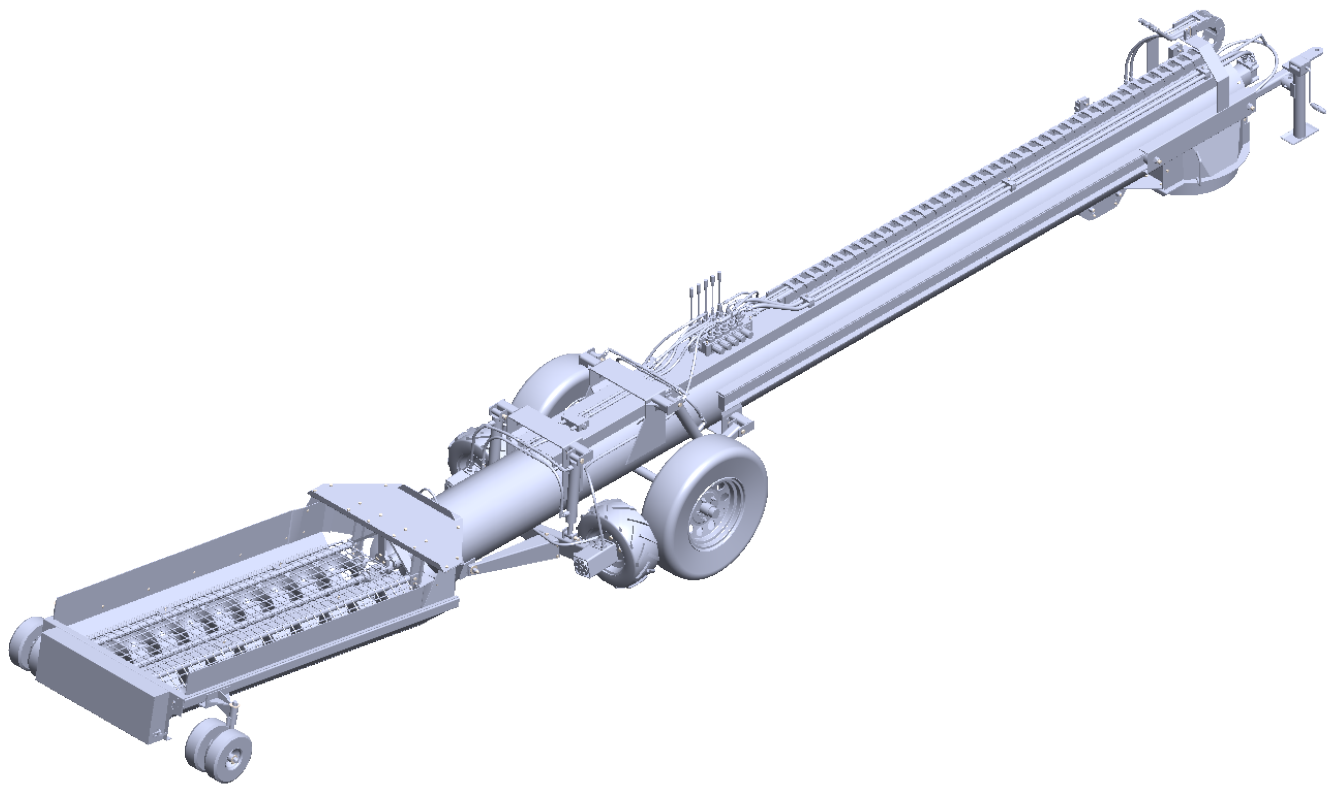


PRO GRAIN

E Q U I P M E N T

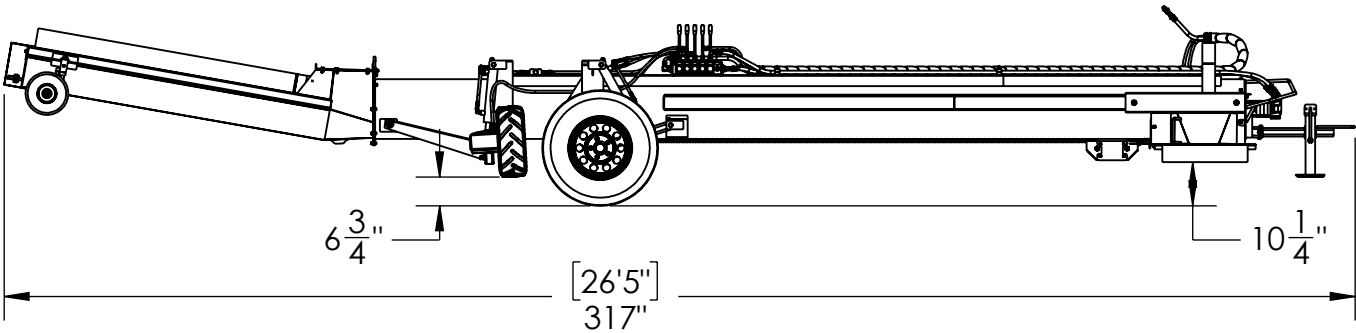
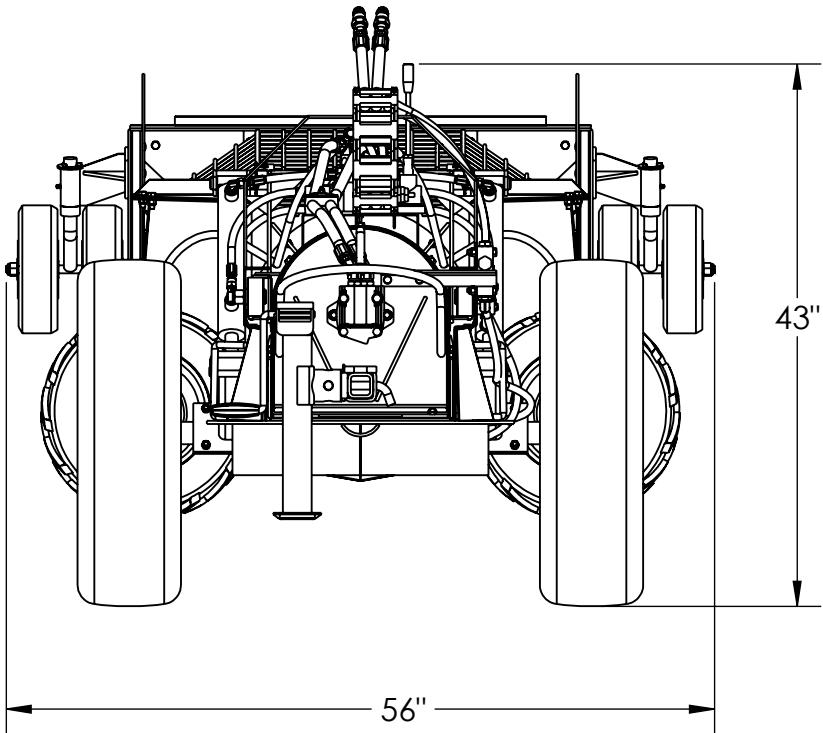


PRO GRAIN TRANSFER AUGER

T-1425 PARTS MANUAL

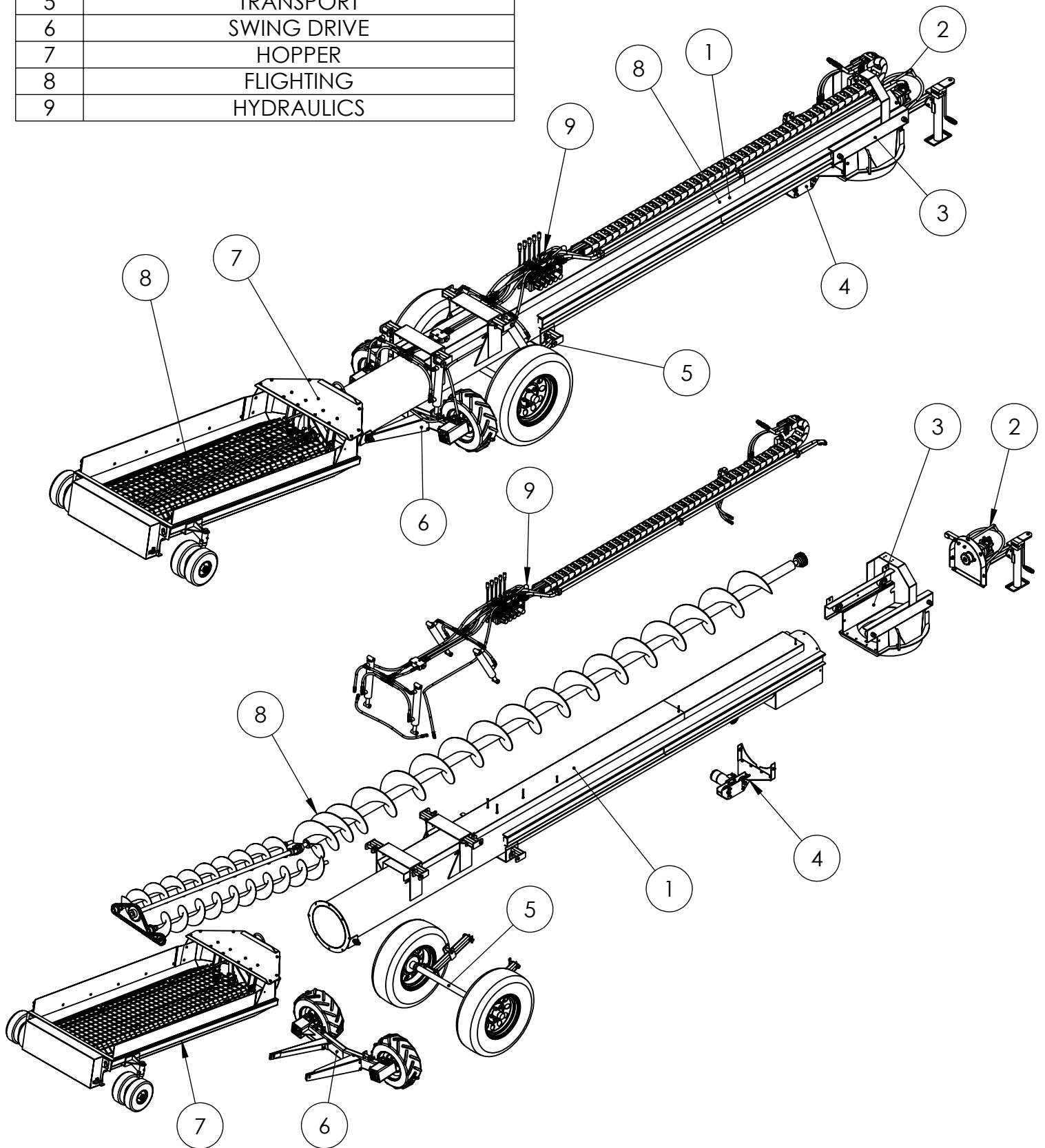
DIMENSIONS	PG.3
BREAK DOWN	PG.4
AUGER TUBE	PG.5
AUGER TOP END	PG.6
TELESCOPIC SLIDE	PG.7
SLIDE DRIVE	PG.8
TRANSPORT	PG.9
SWING DRIVE	PG.10-11
HOPPER	PG.12-14
FLIGHTING	PG.15
HYDRAULICS	PG.16-18

DIMENSIONS

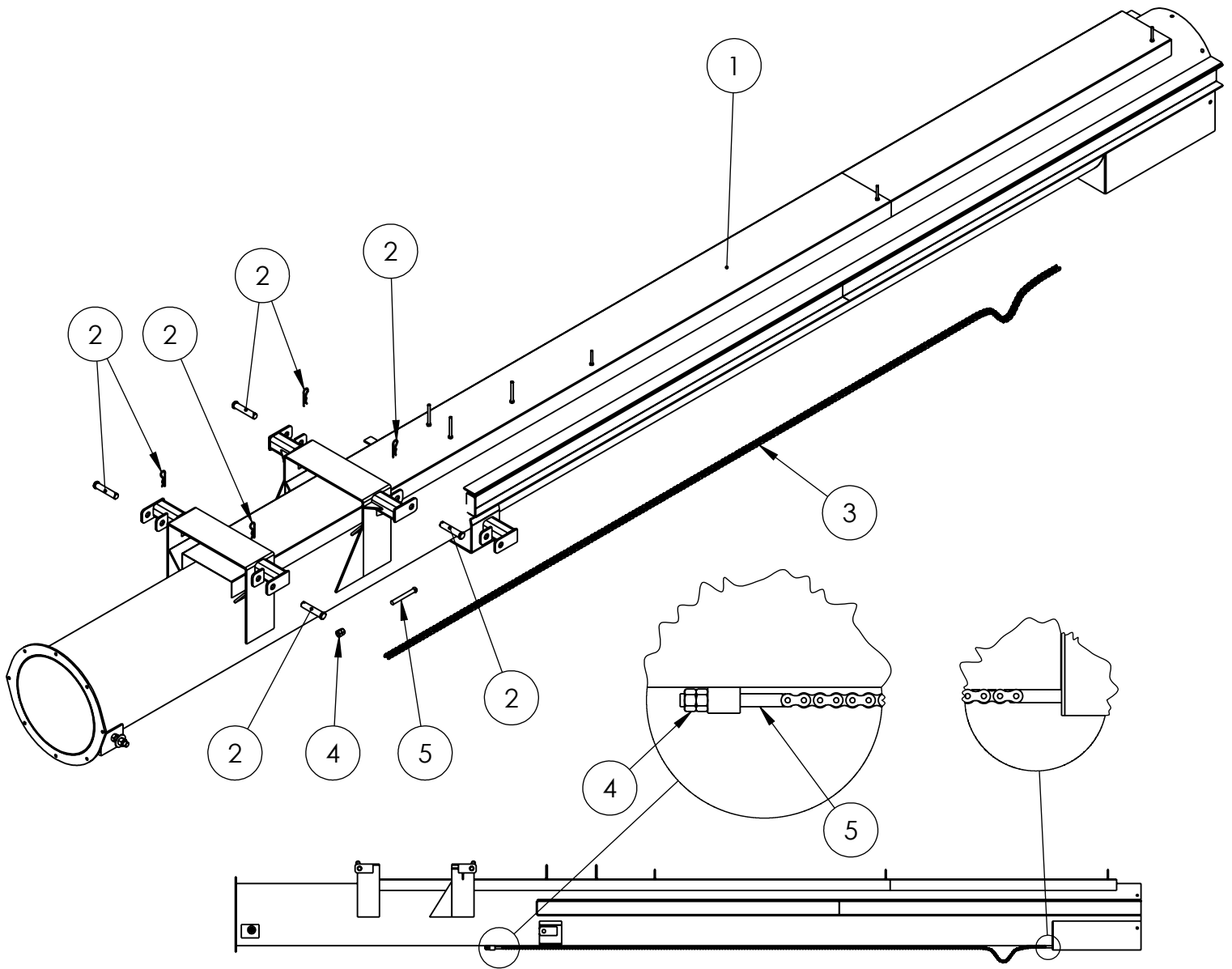


BREAK DOWN

ITEM#	DESCRIPTION
1	AUGER TUBE
2	AUGER TOP END
3	TELESCOPIC SLIDE
4	SLIDE DRIVE
5	TRANSPORT
6	SWING DRIVE
7	HOPPER
8	FLIGHTING
9	HYDRAULICS

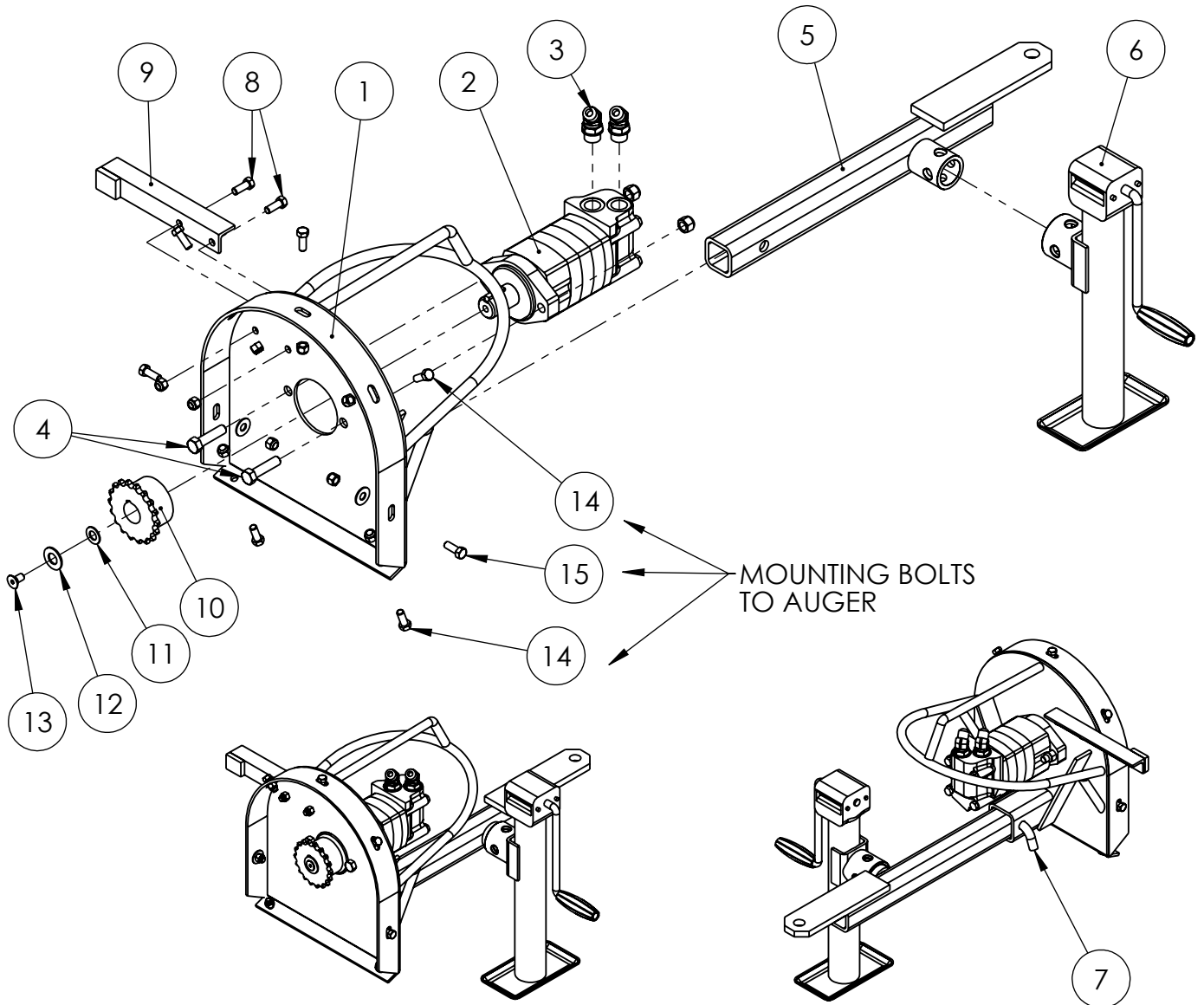


AUGER TUBE



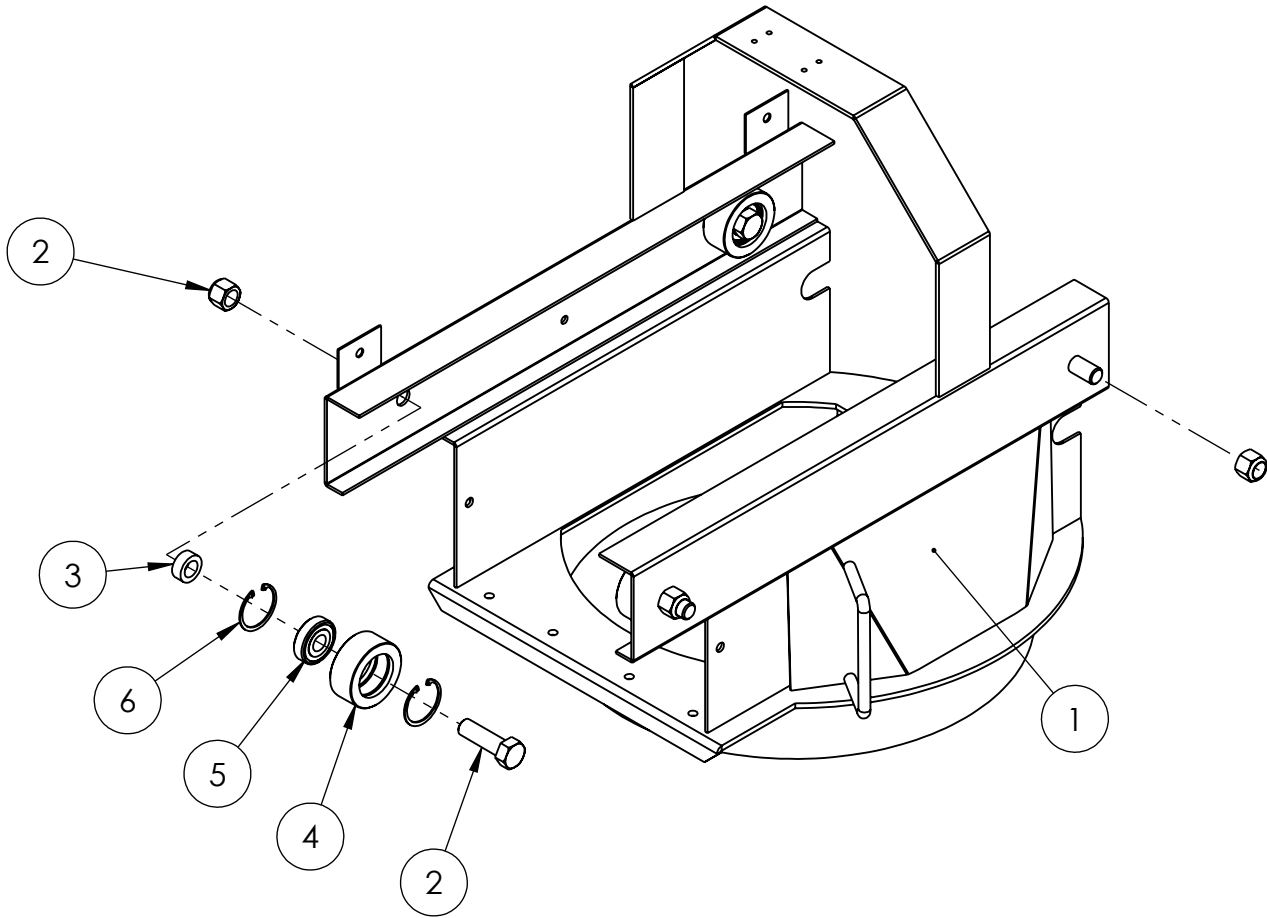
ITEM#	QTY	PART#	DESCRIPTION
1	1	AATA14028	AUGER BODY
2	4	CLPY0750312	3/4" CLEVIS PIN 3-1/2" & HITCH PIN CLIP
3	1	#50-124"C/WCON	SLIDE DRIVE CHAIN (#50 REN)
4	2		1/2" HEX NUT
5	1	AATA14045	SLIDE CHAIN TENSIONER

AUGER TOP END



ITEM#	QYT	PART#	DESCRIPTION
1	1	AATA14006	AUGER HEAD
2	1	104-1027-006 EAT	HYDRAULIC MOTOR
3	2	S3654-810	HYDRAULIC ADAPTER 45°
4	2		1/2" X 2" BOLT & NYLOCK NUT
5	1	AATA14008	HITCH
6	1	F95-TJP50001SP	SIDE WIND JACK
7	1	BPO 625-3000-Z-C	BENT PIN & HITCH PIN CLIP
8	2		3/8" X 1" BOLT & NYLOCK NUT
9		AATA032	SLIDE STOP
10	1	5018 1-1/4 X 5/16 KW MAR	CHAIN COUPLING (HUB / SPROCKET)
11	1		1/2" SAE WASHER
12	1		5/8" SAE WASHER
13	1		3/8" X 3/4" FH SOCKET CS
14	5		3/8" X 1" BOLT & NYLOCK NUT
15	2		3/8" X 1" BOLT & WASHER & NYLOCK NUT

TELESCOPIC SLIDE

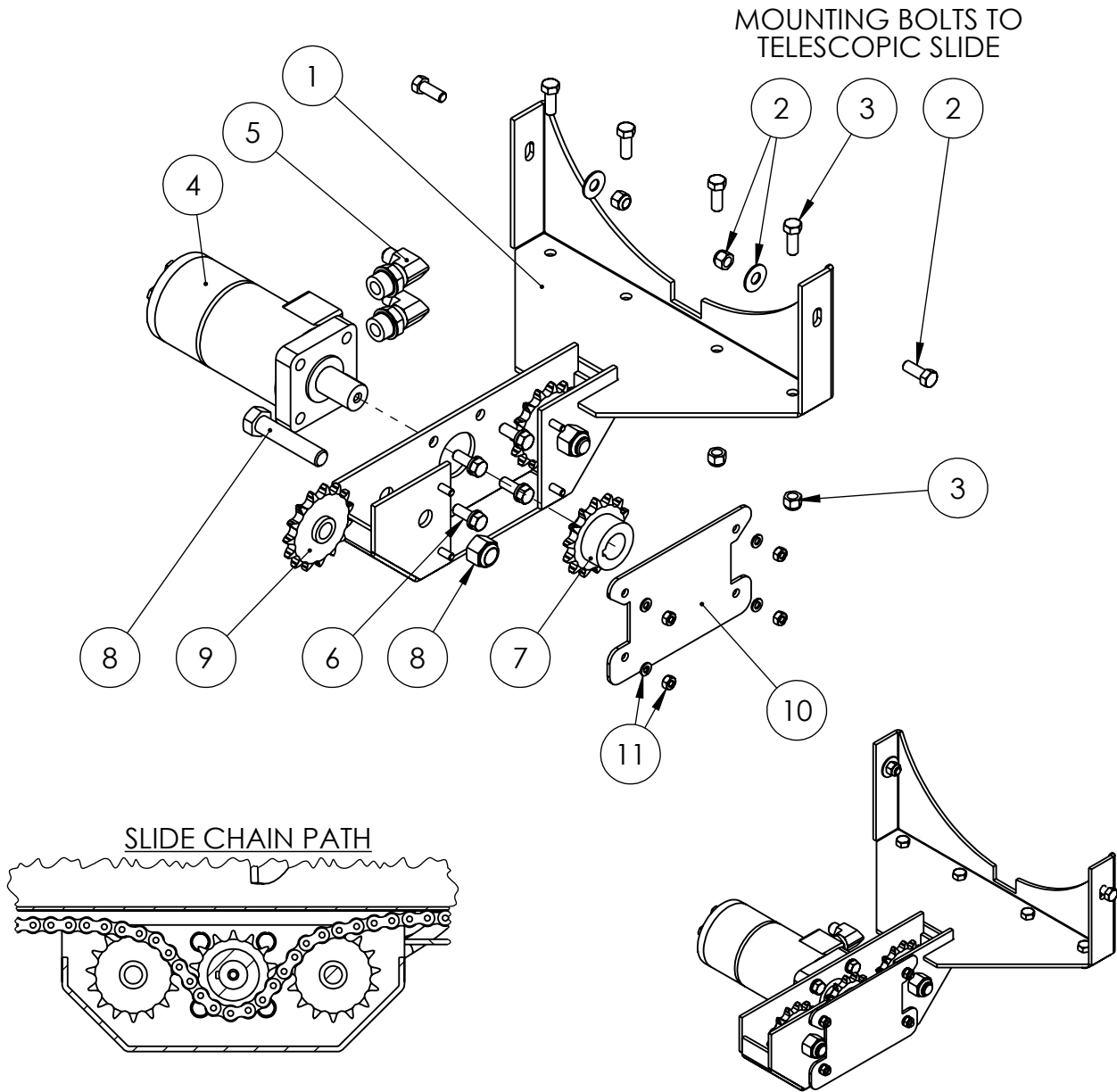


ITEM#	QTY	PART#	DESCRIPTION
1	1	AATA14022	TELESCOPIC SLIDE
2	4		3/4" X 2-1/2" BOLT & NYLOCK NUT
3	4	ZTR176	SLIDE ROLLER SPACER

AATA14044 SLIDE ROLLER X4

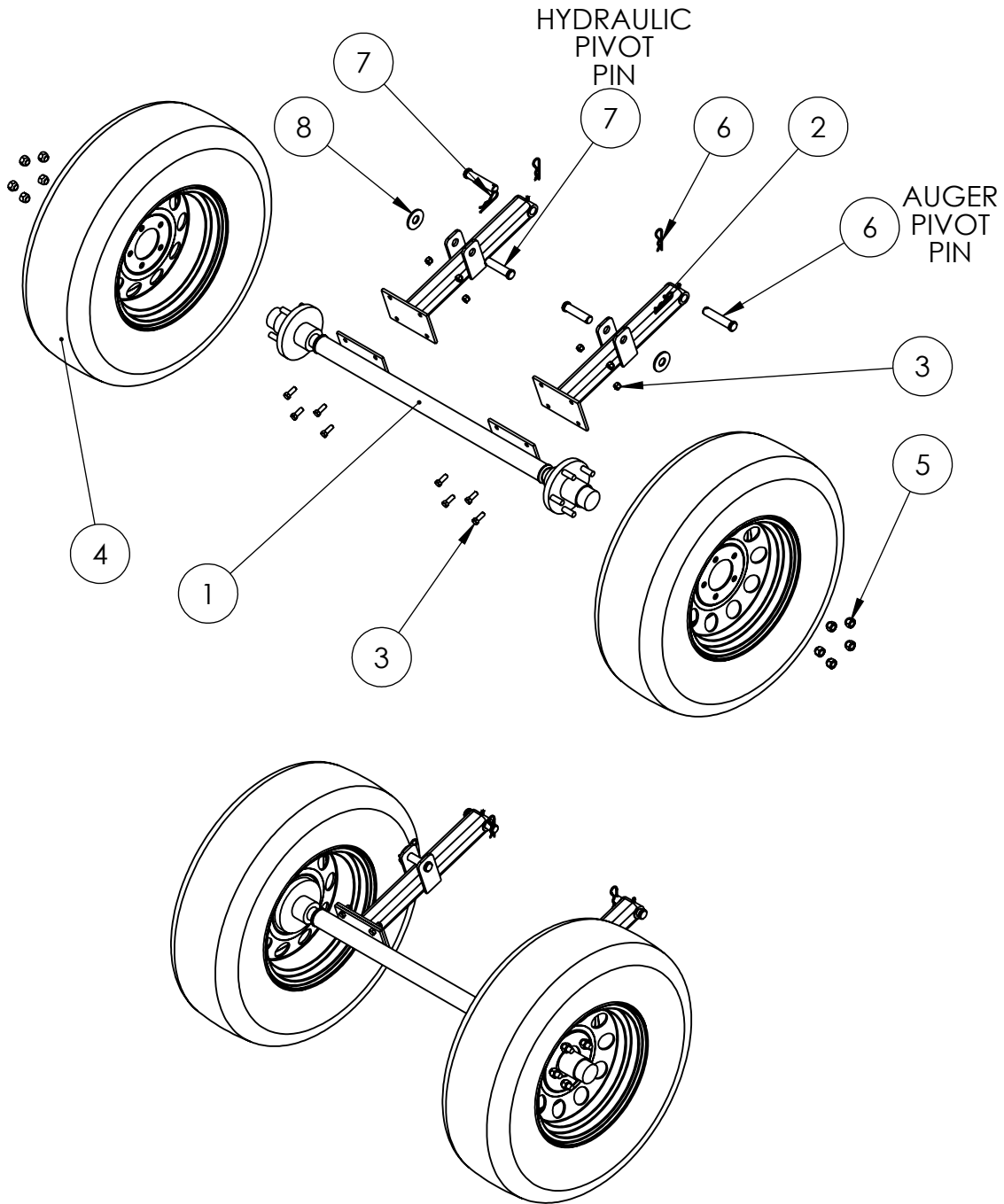
4	1	ZTR079	SLIDE ROLLER
5	1	1638-2RS	BEARING
6	2	1300-193	RETAINING RING

SLIDE DRIVE



ITEM#	QTY	PART#	DESCRIPTION
1	1	AATA14020	SLIDE DRIVE
2	2		3/8" X 1" BOLT & WASHER & NYLOCK NUT
3	4		3/8" X 1" BOLT & NYLOCK NUT
4	1	BMPH400H4KS	HYDRAULIC MOTOR
5	2	S3649-610	90° HYDRAULIC ADAPTOR
6	4		3/8" X 1" BOLT & LOCK WASHER
7	1	AATA14043	SLIDE DRIVE SPROCKET
8	2		5/8" X 3" BOLT & NYLOCK NUT
9	2	50BB15H5/8	IDLER SPROCKET
10	1	ZTR059L	SLIDE DRIVE COVER PLATE
11	4		1/4" LOCK WASHER & HEX NUT

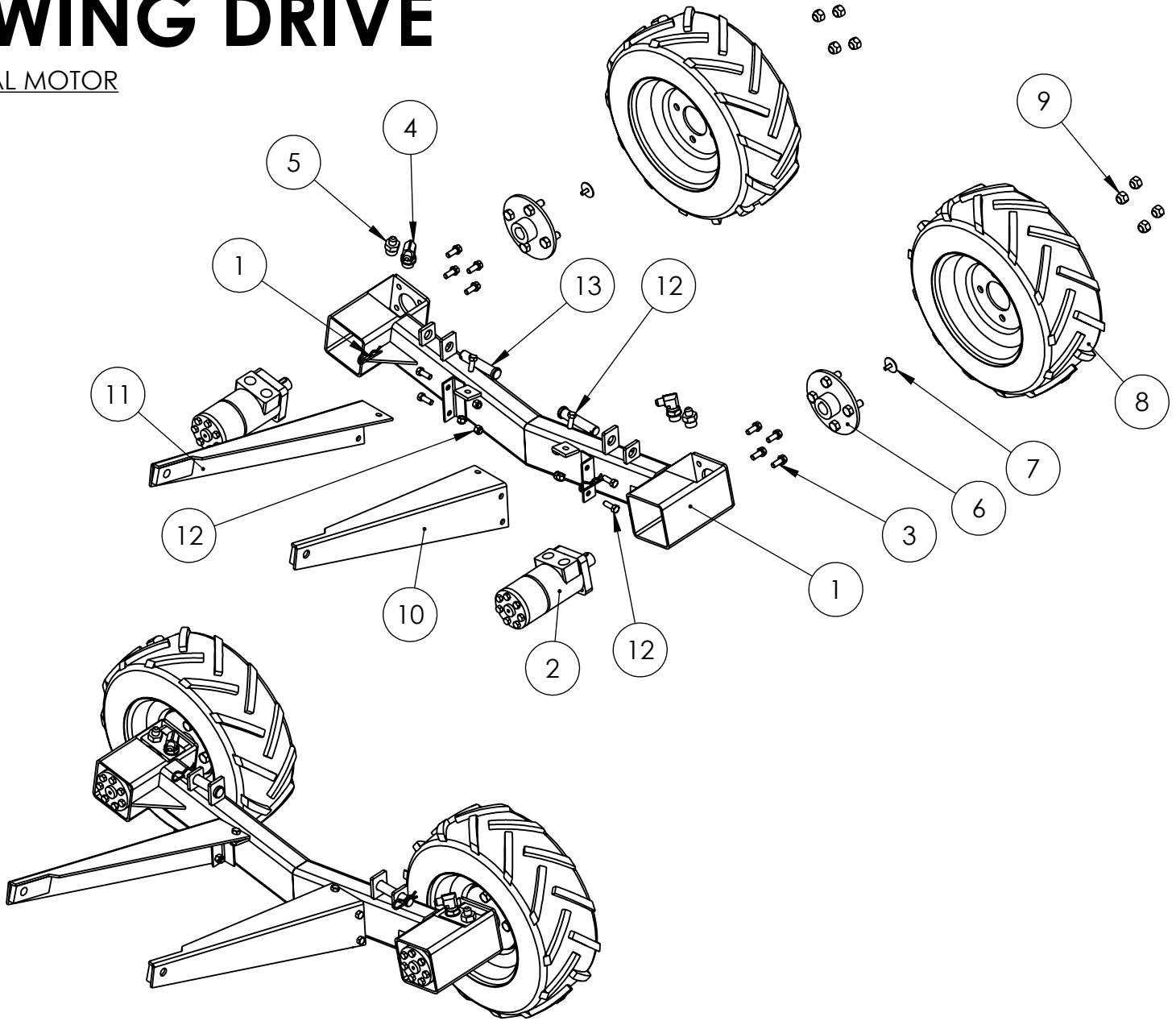
TRANSPORT



ITEM#	QTY	PART#	DESCRIPTION
1	1	AATA14026	TRANSPORT AXLE
2	2	AATA14027	TRANSPORT AXLE ARM
3	8		3/8" X 1" BOLT & NYLOCK NUT
4	2	ST205/75R15	TRANSPORT WHEEL
5	10		1/2" WHEEL NUT
6	2	CLPY0750312	3/4" CLEVIS PIN 3-1/2" & HITCH PIN CLIP
7	2	CLPY20.750-3.000-Z	3/4" CLEVIS PIN 3" & HITCH PIN CLIP
8	2		3/4" WASHER

SWING DRIVE

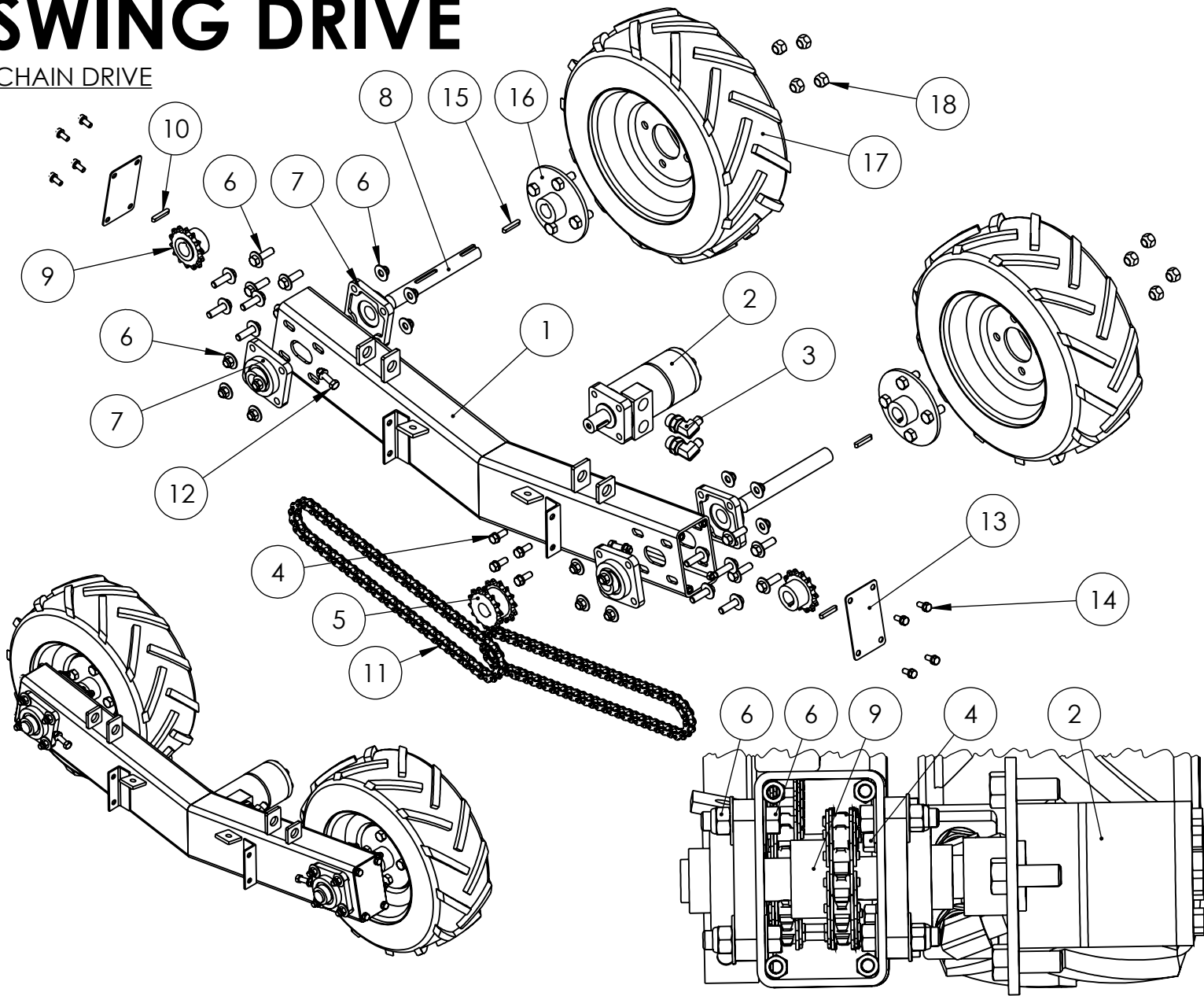
DUAL MOTOR



ITEM#	QTY	PART#	DESCRIPTION
1	1	AATA14040	SWING DRIVE 2021&NEWER
2	2	BMPH400H4KS	HYDRAULIC MOTOR
3	8		3/8" X 1" BOLT & LOCKWASHER
4	2	S3649-610	90° HYDRAULIC ADAPTOR
5	2	S3648-610	HYDRAULIC ADAPTOR
6	2	AATA140024	WHEEL MOUNT
7	2		1/4" X 3/4" BOLT & LOCKWASHER & FENDER WASHER
8	2	16X6.50-8	SWING DRIVE WHEEL
9	8		1/2" WHEEL NUT
10	1	AATA14025-L	LEFT SWING DRIVE ARM
11	1	AATA14025-R	RIGHT SWING DRIVE ARM
12	6		3/8" X 1" BOLT & NYLOCK NUT
13	2	CLPY0750312	3/4" CLEVIS PIN 3-1/2" & HITCH PIN CLIP

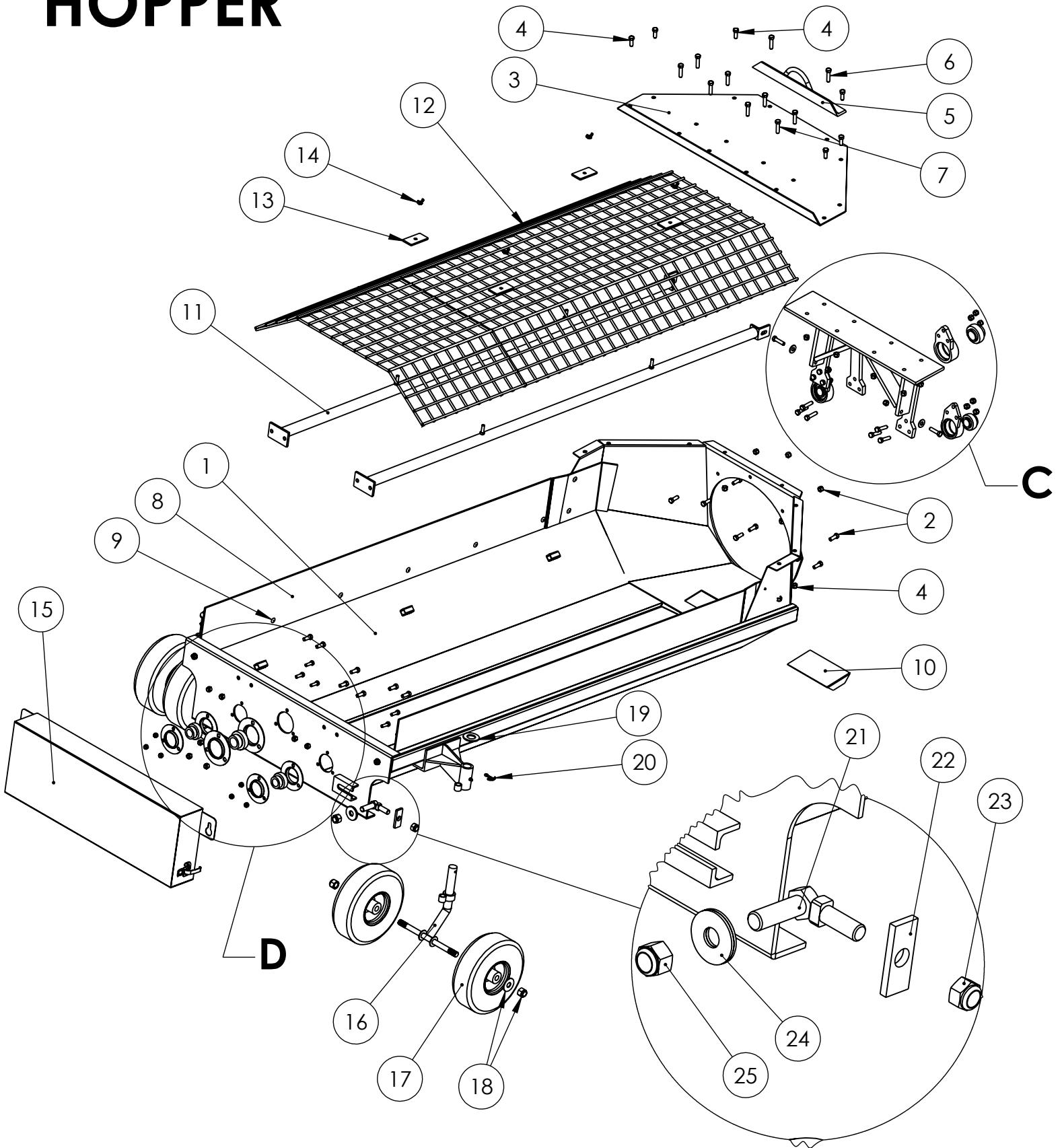
SWING DRIVE

CHAIN DRIVE



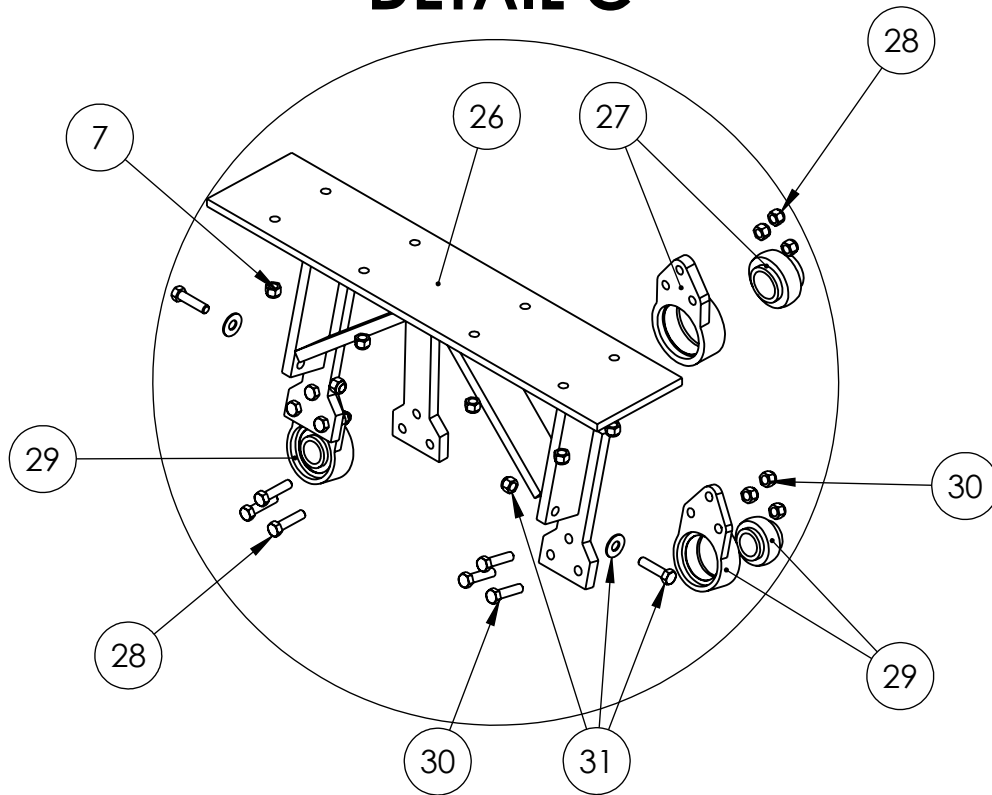
ITEM#	QTY	PART#	DESCRIPTION
1	1	AATA14023	SWING DRIVE 2020
2	1	BMPH400H4KS	HYDRAULIC MOTOR
3	2	S3649-610	90° HYDRAULIC ADAPTOR
4	4		3/8" X 1" BOLT & LOCK WASHER
5	1	DS50A14F "MAR	DOUBLE SPROCKET
6	8		7/16" X 1-1/2" BOLT & WASHER X2 & NYLOCK NUT
7	4	F205/SA205-16	4 BOLT FLANGE & 1" BEARING ECCENTRIC LOCKING COLLAR
8	2	ZTR135	SWING DRIVE AXLE
9	2	AATA14042	SPROCKET
10			1/4" X 1-1/4" KEYSTOCK
11	2	#50-40.6" C/WCON	SWING DRIVE CHAIN (#50 REN)
12	4		3/8" X 1-1/2" BOLT
13	2	ZTR170	SWING DRIVE END PLATE
14	8		5/16" X 3/4" BOLT & LOCK WASHER
15			1/4" X 1-1/2" KEYSTOCK
16	2	AATA14024	WHEEL MOUNT
17	2	16X6.50-8	SWING DRIVE WHEEL
18	8		1/2" WHEEL NUT

HOPPER

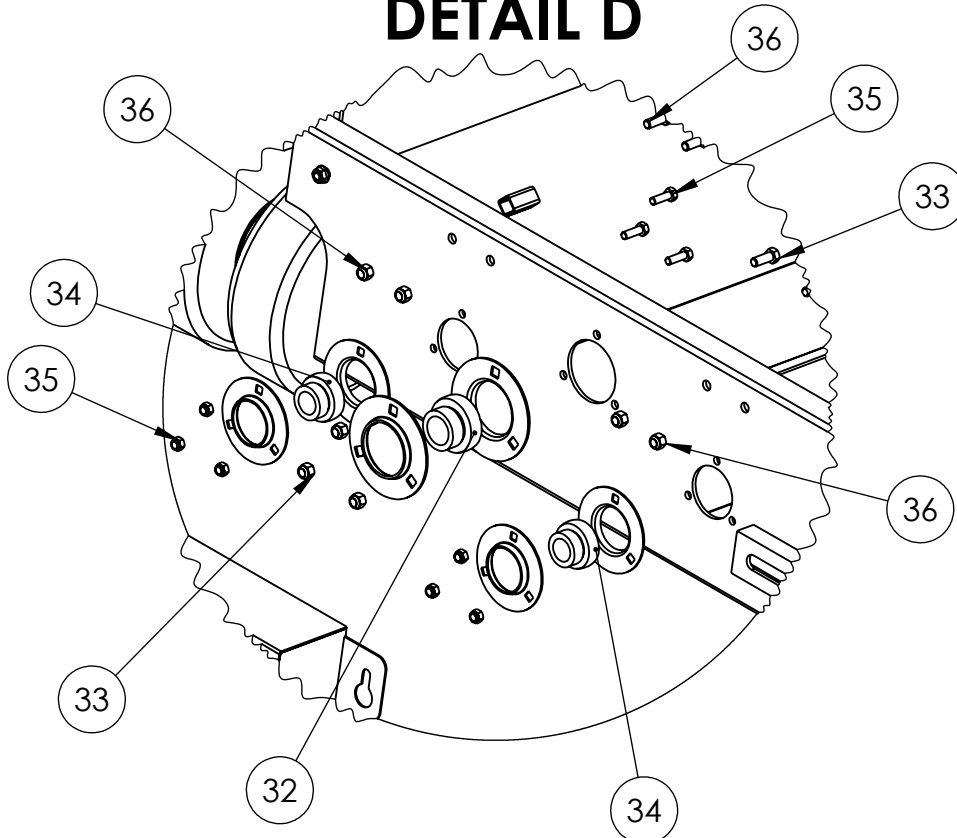


HOPPER

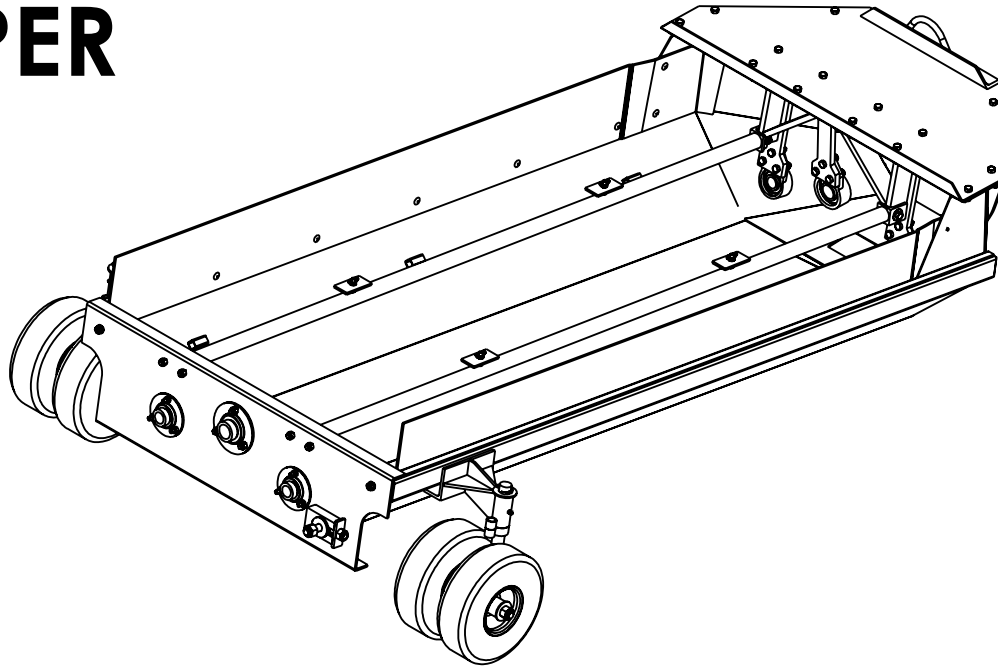
DETAIL C



DETAIL D



HOPPER



ITEM#	QTY	PART#	DESCRIPTION
1	1	AATA14013	HOPPER
2	8		3/8" X 1" BOLT & NYLOCK NUT
3	1	AATA14014	HOPPER BEARING MOUNT COVER
4	6		3/8" X 1" BOLT & NYLOCK NUT
5	1	AATA14037	LIFT HANDLE
6	2		3/8" X 1-1/2" BOLT & NYLOCK NUT
7	8		3/8" X 1-1/2" BOLT & NYLOCK NUT
8	2	7"X6' 2CP1250-2PLY	HOPPER RUBBER EXTENSION
9	16	AD66BSLF	#66 LARGE FLANGE RIVET
10	1	AATA14019	HOPPER DRAIN PLATE
11	1/1	AATA14029	HOPPER SUPPORT BAR (LEFT / RIGHT)
12	1	AATA14016	HOPPER MESH GUARD
13	4	AATA14015	HOPPER MESH MOUNT PLATE
14	4		5/16" WING NUT
15	1	AATA14017	CHAIN CASE COVER
16	2	AATA14030	CASTER WHEEL AXLE
17	4	410/350X4	CASTER WHEEL
18	4		5/8" NYLOCK NUT & WASHER
19	2		1" SAE WASHER
20	2		3/16" COTTER PIN
21	1	AATA14038	IDLER SPROCKET MOUNT /TENSIONER
22	1	ZTR095	TENSION PLATE
23	1		9/16" NYLOCK NUT
24	2		5/8" WASHER
25	1		5/8" NYLOCK NUT
26	1	AATA14012	HANGER BEARING MOUNT
27	1	FK206/UC206-20	3 BOLT DIAMOND FLANGE / 1-1/4" BEARING SET SCREW LOCKING
28	3		3/8" X 1-1/2" BOLT & NYLOCK NUT
29	2	FB205/UC205-16	3 BOLT DIAMOND FLANGE / 1" BEARING SET SCREW LOCKING
30	6		3/8" X 1-1/2" BOLT & NYLOCK NUT
31	2		3/8" X 1-1/2" BOLT & WASHER & NYLOCK NUT
32	1	PF206/SA206-20N	3 BOLT FLANGETTE / 1-1/4" BEARING ECCENTRIC LOCKING COLLAR NON GREASEABLE
33	3		3/8" X 1" BOLT & NYLOCK NUT
34	2	PF205/SA205-16N	3 BOLT FLANGETTE / 1" BEARING ECCENTRIC LOCKING COLLAR NON GREASEABLE
35	6		5/16" X 1" BOLT & NYLOCK NUT
36	4		3/8" X 1" BOLT & NYLOCK NUT

