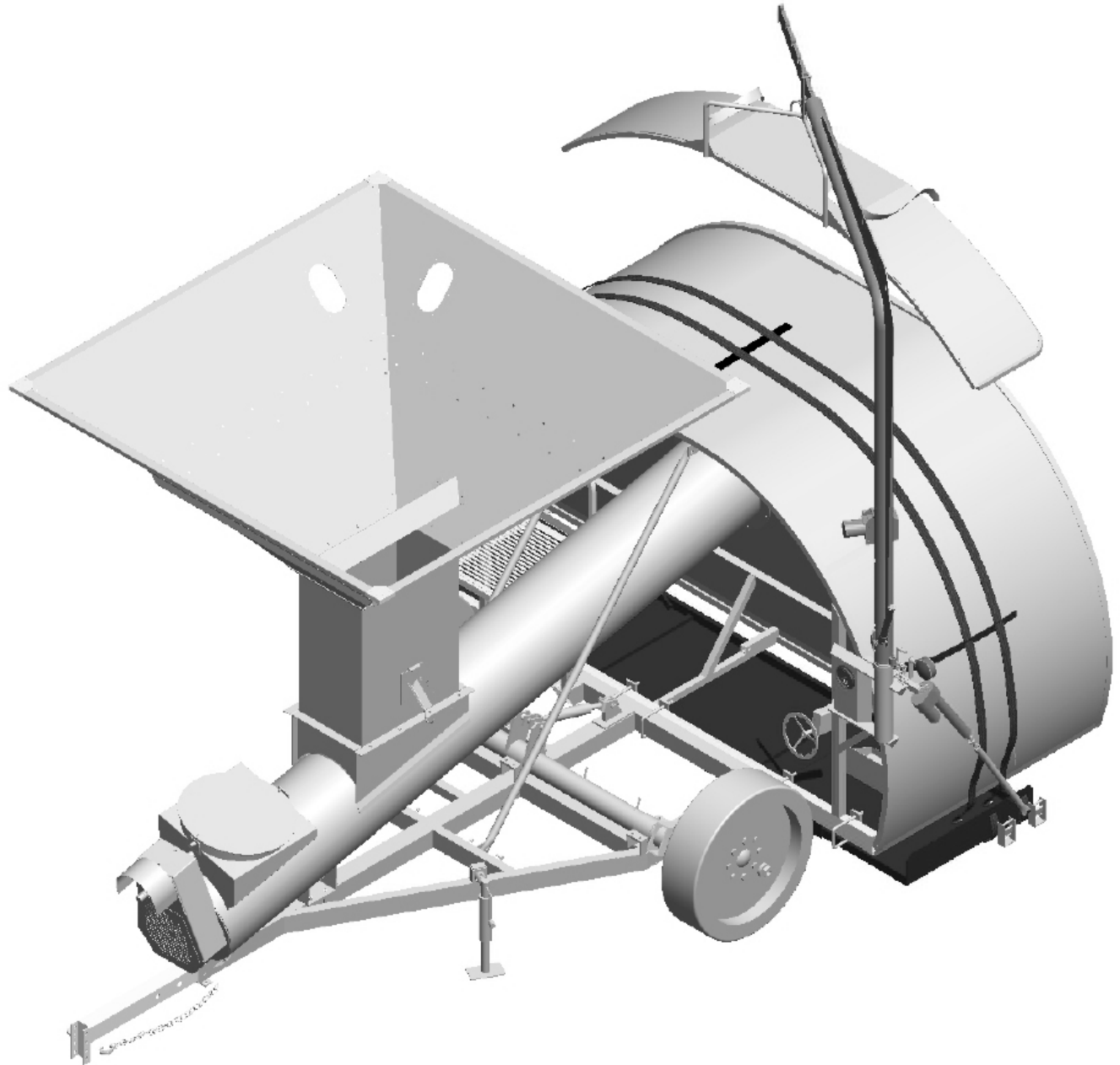


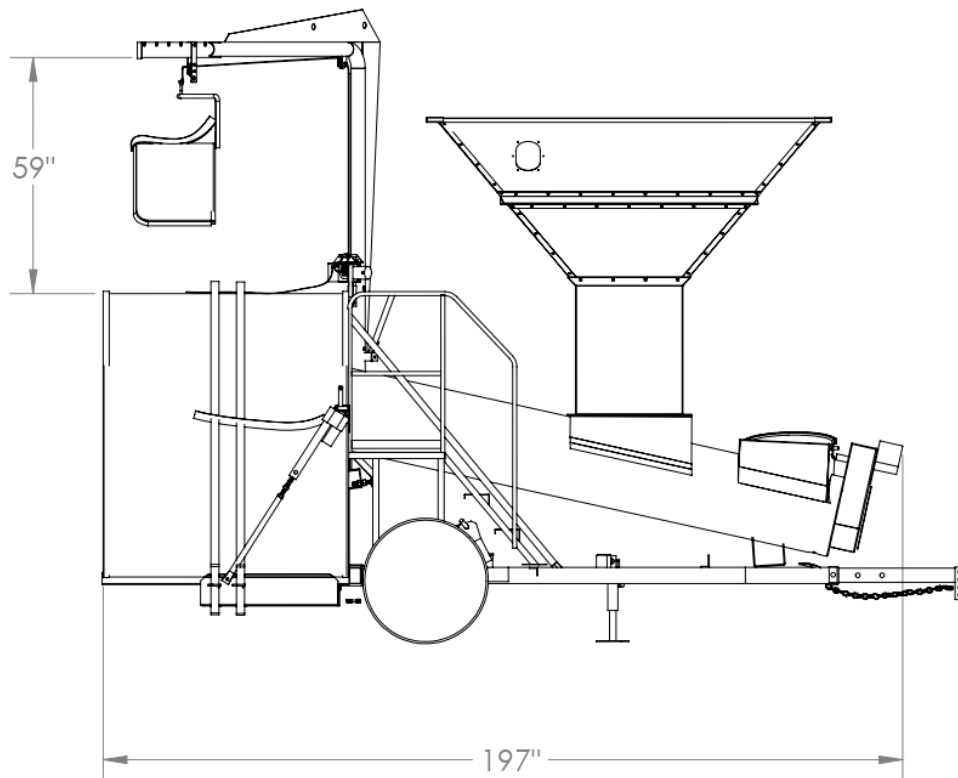
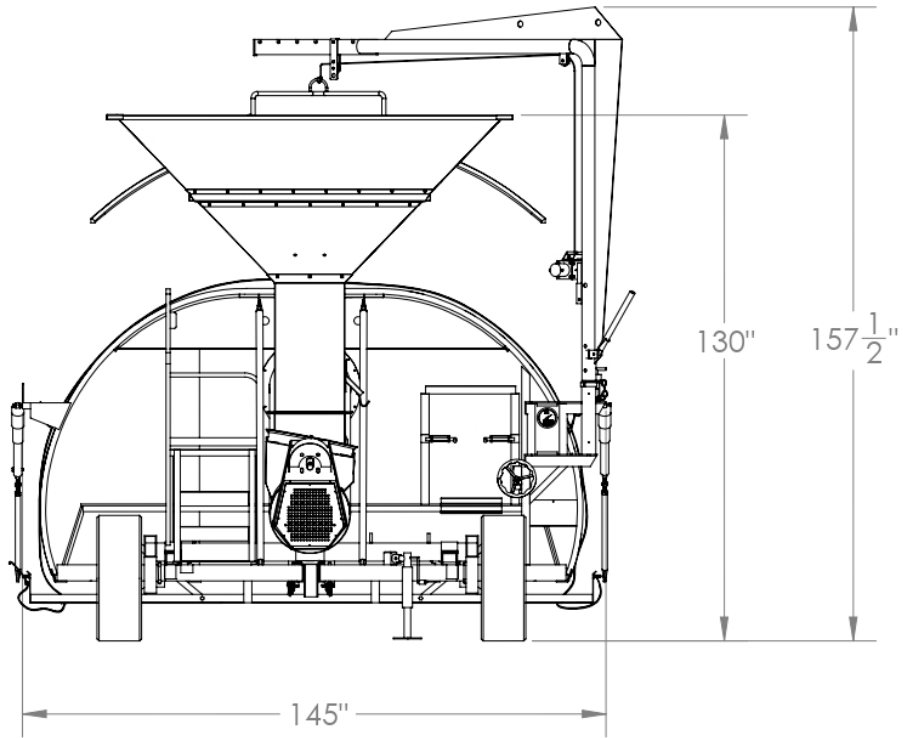
PRO GRAIN

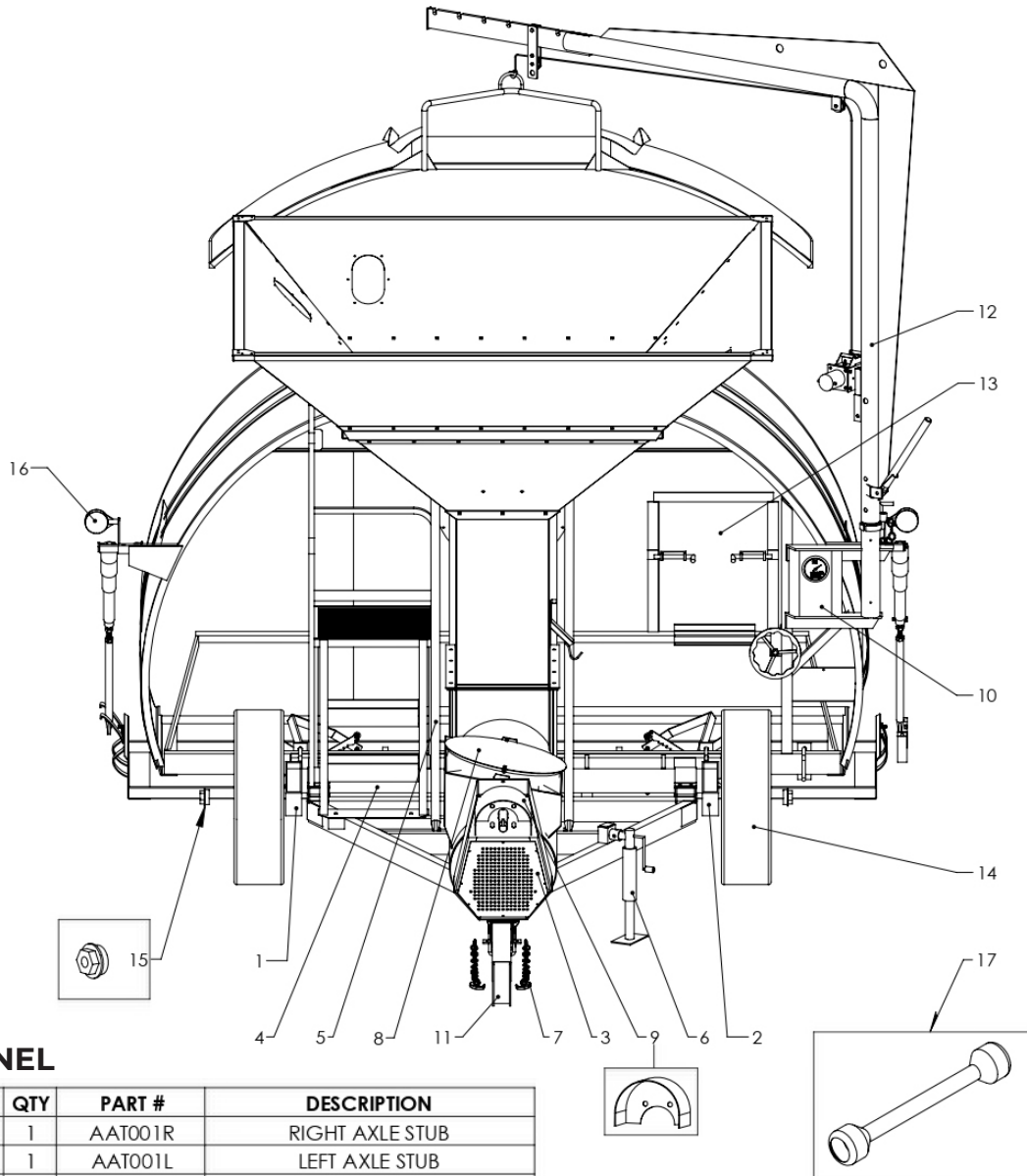
EQUIPMENT



PRO GRAIN BAGGER B-2010N PARTS MANUAL

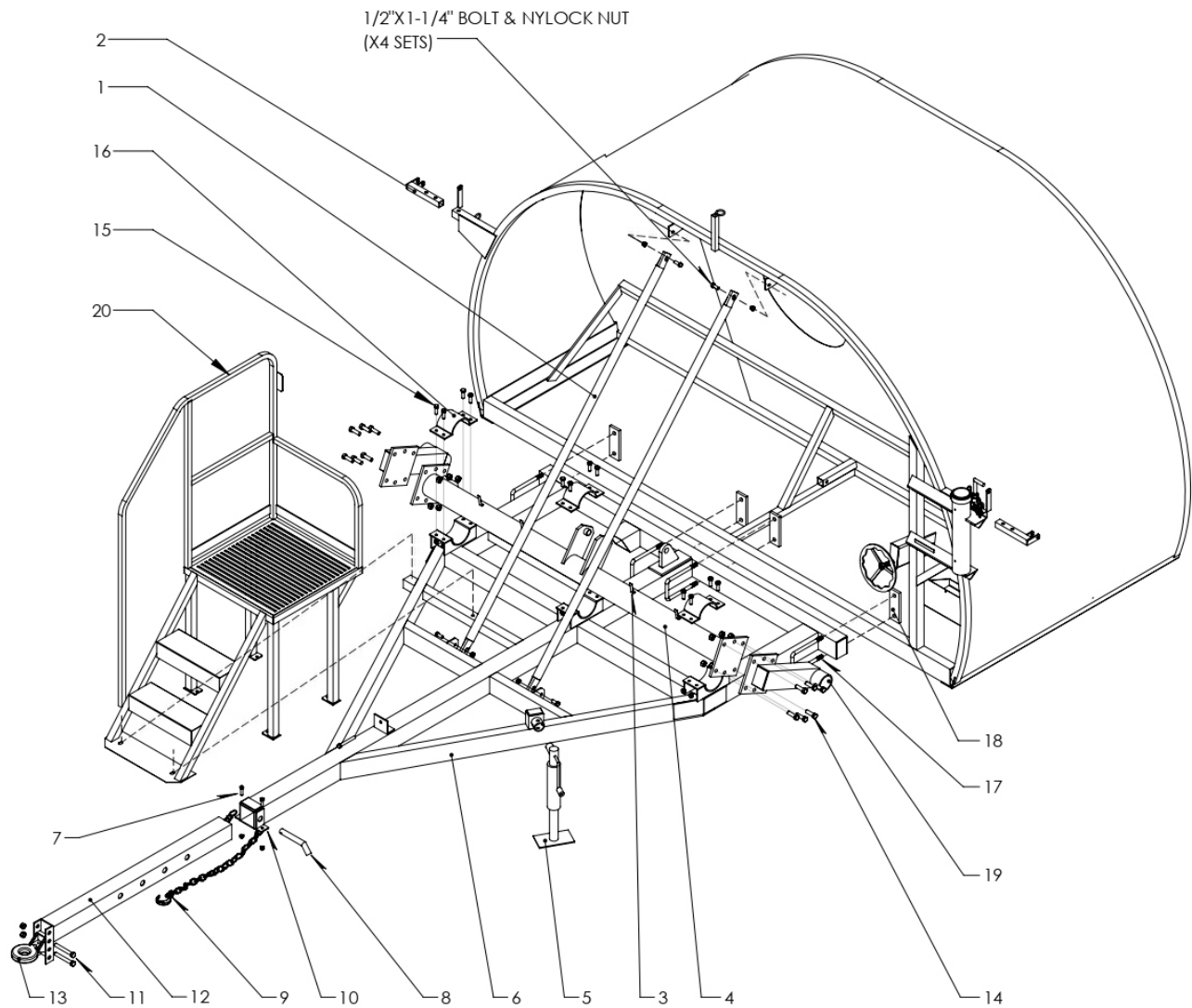
Dimension	3
Tunnel	4
A-frame & axle	5
Auger & flighting	6
Chain box	8
Hopper	9
Bag pan & arm	10
Bag boom	11
Cradle & jack	12
Strap	13
Brake	





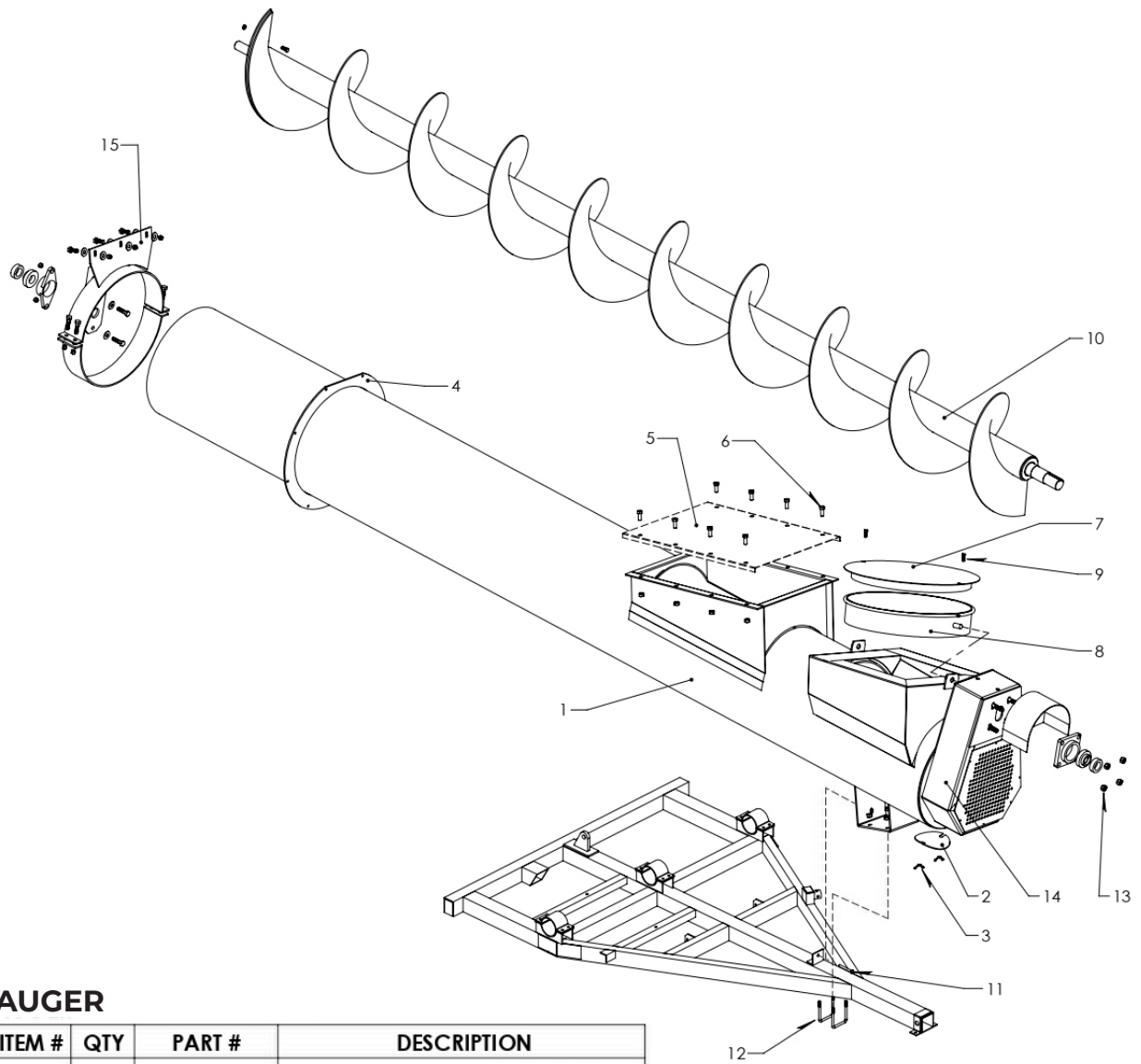
TUNNEL

ITEM #	QTY	PART #	DESCRIPTION
1	1	AAT001R	RIGHT AXLE STUB
2	1	AAT001L	LEFT AXLE STUB
3	1	AAA008	CHAIN CASE COVER
4	1	AAT041	PLATFORM
5	2	AAT007	A-FRAME TO TUNNEL SUPPORT
6	1	F95-TJP5001SB	5000 LBS SIDE WIND-UP JACK
7	2	AASC00148	SAFETY CHAIN
8	1	AAT011	CONVEYOR INLET COVER
9	1	AAT012	PTO GUARD
10	1	AAT028	ELECTRICAL CONTROL BOX
11	1	AAT006	A-FRAME HITCH
12	1	AABB002	BAG BOOM
13	1	AAT029	WINDOW VIEW DOOR
14	2	TIRLT235/85R16	BAGGER TIRES
15	2	RG04--230	OIL CAP KIT
16	2	CP202RA	RED AMBER SIGNAL LIGHT
17	1	55EBL262-26092	PTO



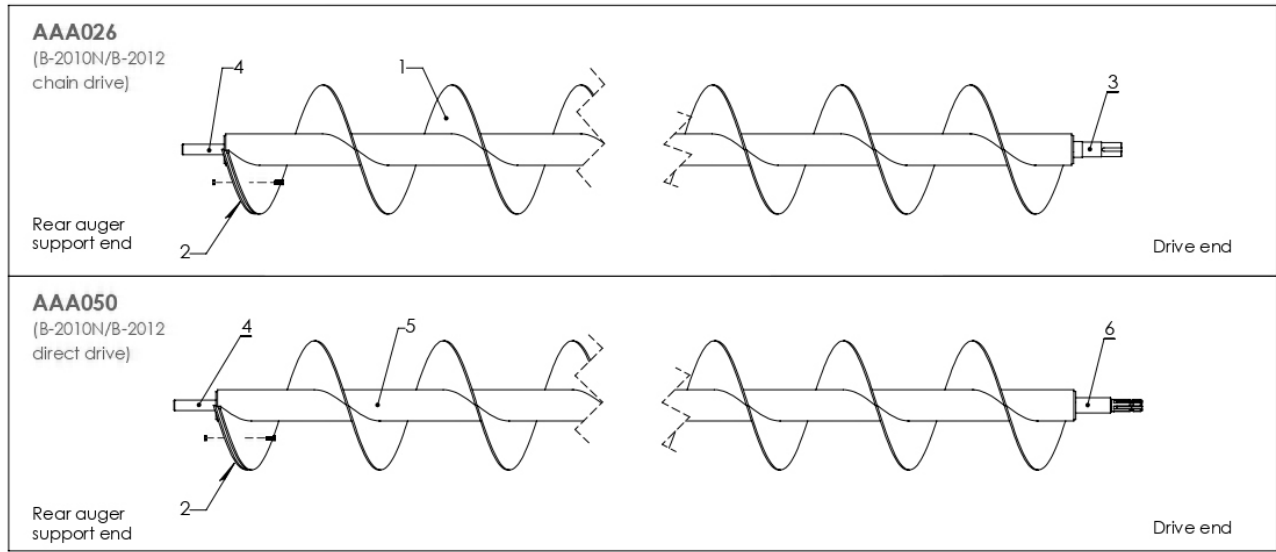
A-FRAME & AXLE

ITEM#	QTY	PART #	DESCRIPTION	ITEM#	QTY	PART #	DESCRIPTION
1	2	AAT007	A-FRAME TO TUNNEL PIPE	11	2		5/8"X4-1/2" BOLT & NYLOCK NUT
2	2	AAT068	BAG PAN ARM MOUNT	12	1	AAT006	DRAW HITCH
3	4		HYDRAULIC HOSE TIGHTENER	13	1	CDT-126VR	BASE, HITCH CAST
4	1	AAT054	80" LONG NARROW AXLE	14	12		5/8"X2" BOLT & NYLOCK NUT
5	1	F95-TJP5001SB	5000 LBS SIDE WIND-UP JACK	15	12		1/2"X1-1/2" BOLT & NYLOCK NUT
6	1	AAT049	B-2010N A-FRAME	16	3		SADDLE
7	2		7/16"X1-1/2" BOLT & NYLOCK NUT	17	4		UBS58.418.8Z U-BOLT
8	1	AAT008	1" CR RDX8",HITCH PIN	18	4	ZT009	A-FRAME MOUNT PLATE
9	2	AASC00148	SAFETY CHAIN	19	2	AAT001	AXLE STUB (LEFT & RIGHT)
10	1		SAFETY CHAIN MOUNT	20	1	AAT041	PLATFORM



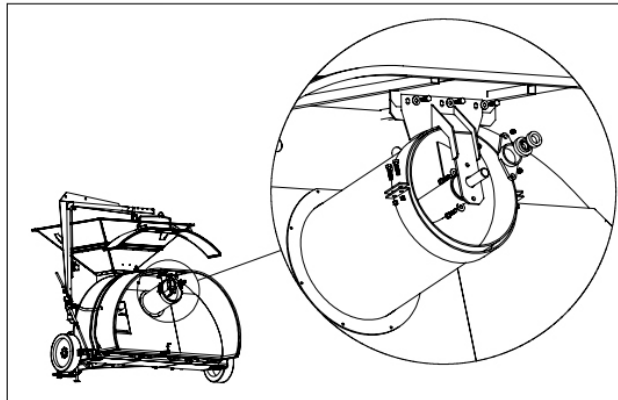
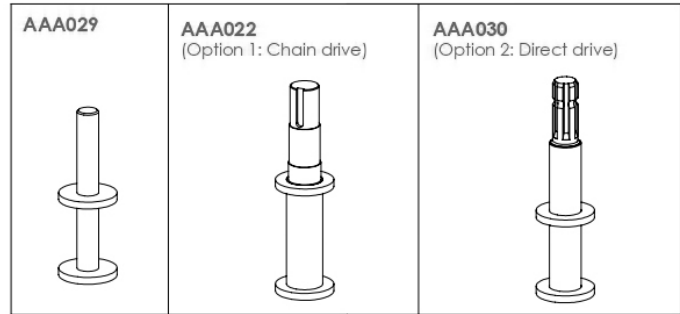
AUGER

ITEM #	QTY	PART #	DESCRIPTION
1	1	AAA025	20" AUGER TUBE COMPLETE
2	1	AAA005	CLEAN OUT COVER
3	2		5/16" WING NUT
4	1	ZA054L	AUGER TUBE FLANGE
5	1	AAT002	HOPPER INLET COVER(Optional)
6	8		1/2"X1-1/4" BOLT & NUT
7	1	AAT011	CONVEYOR INLET COVER
8	1	AAA014	CONVEYOR INLET SWIVEL
9	2		5/16"X1" BOLT
10	1	AAA026	B-2010N AUGER FLIGHTING
11	1		1/2"X4" FASTENER BOLT
12	2		U-BOLT, UBS12.418.512Z
13	4		9/16" NYLOCK NUT
14	1		CHAIN BOX ASSEMBLY
15	1	AAA020	REAR AUGER SUPPORT



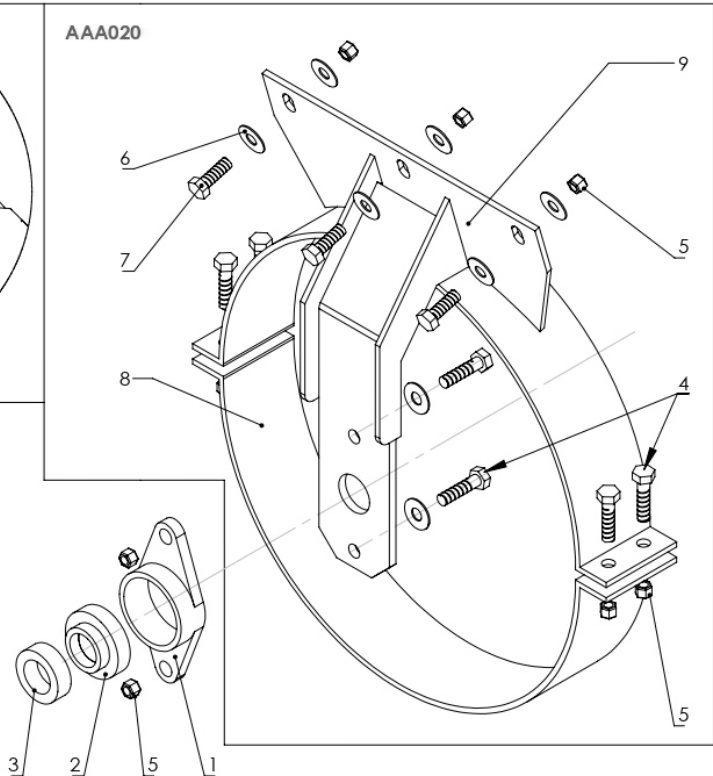
AUGER FLIGHTING

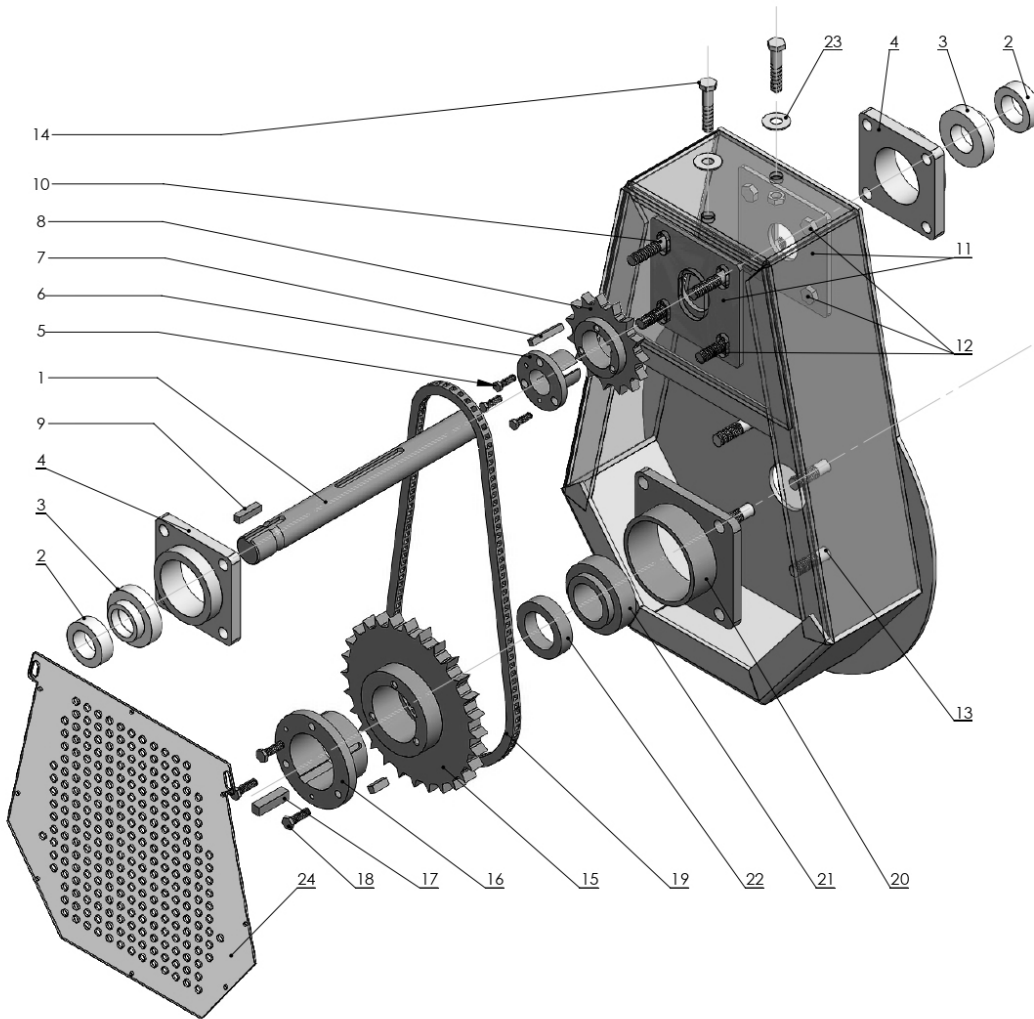
ITEM #	QTY	PART #	DESCRIPTION
1	1	AAA026	AUGER FLIGHTING(Chain drive)
2	1	AAA021	Ø20" WEAR PLATE
3	1	AAA022	2-1/2" CHAIN DRIVE SHAFT
4	1	AAA029	1-1/2" REAR SHAFT
5	1	AAA050	AUGER FLIGHTING(Direct)
6	1	AAA030	2-3/16" DIRECT DRIVE SHAFT



REAR AUGER SUPPORT COMPLETE

ITEM #	QTY	PART #	DESCRIPTION
1	1	FL208	2-BOLT FLANGE
2	1	SA208-24	1-1/2" BEARING LOCK COLLAR
3	1		
4	6	AAA020 Rear auger support for Ø20" auger	1/2"X2" BOLT
5	9		1/2" NYLOCK NUT
6	8		1/2" FLAT WASHER
7	3		1/2" X1-1/2" BOLT
8	1		REAR AUGER SUPPORT CLAMP
9	1		REAR AUGER SUPPORT

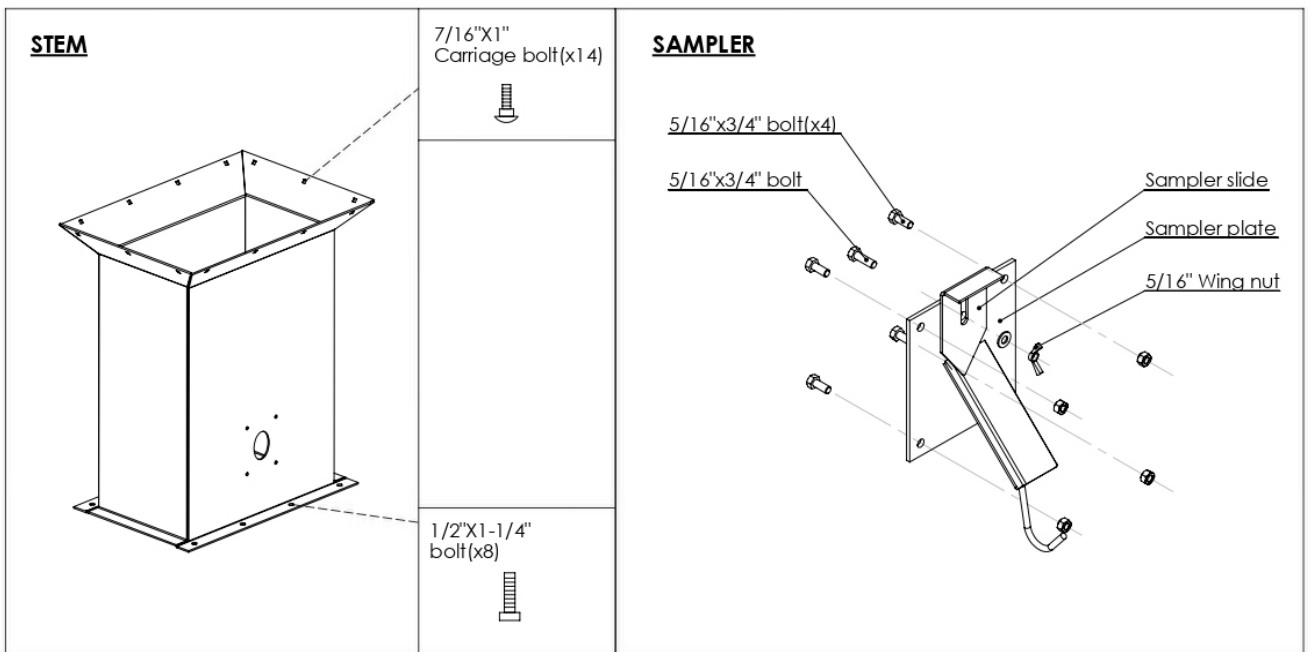
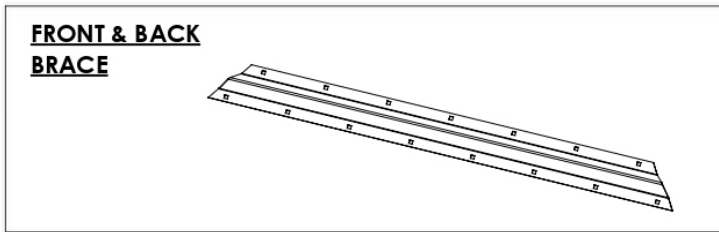
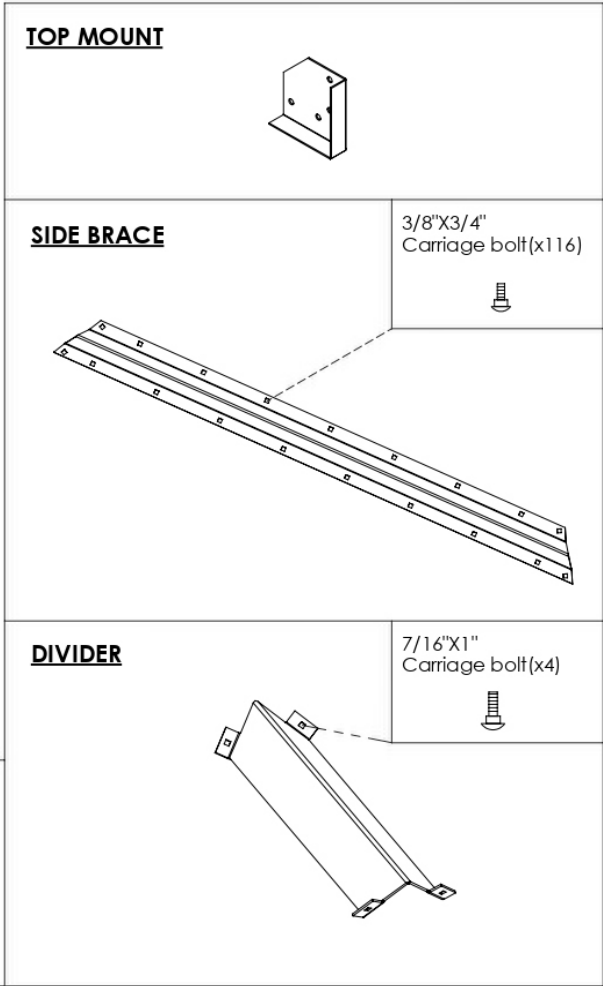
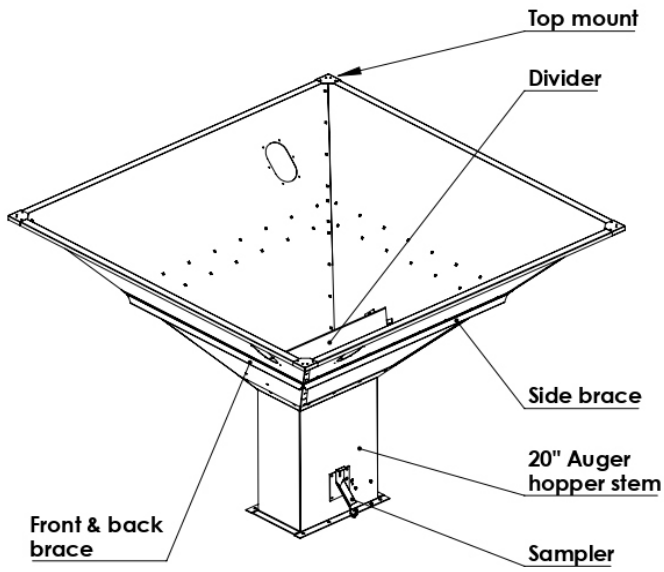


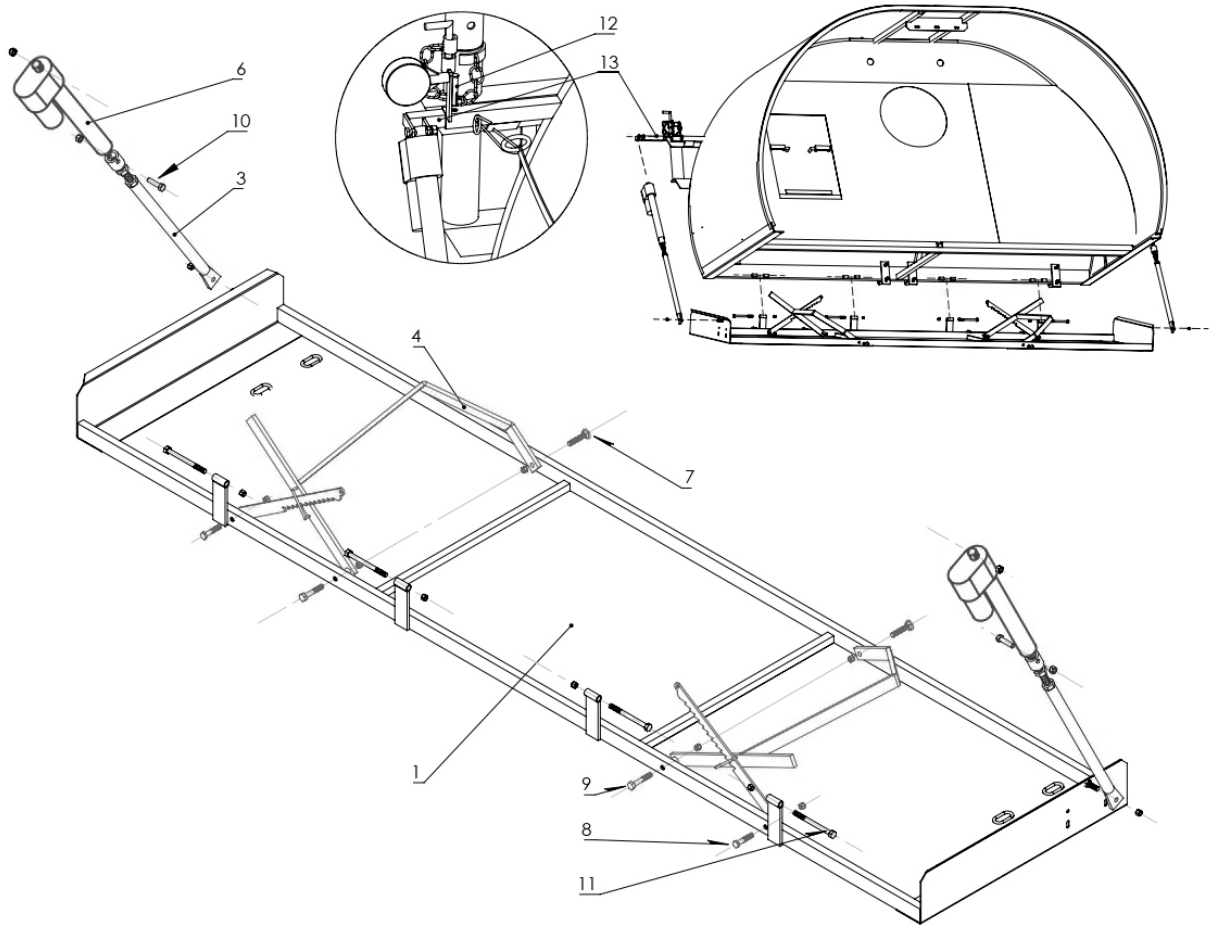


CHAIN BOX

NOTE:
YELLOW PARTS ARE
INSIDE THE CHAINBOX

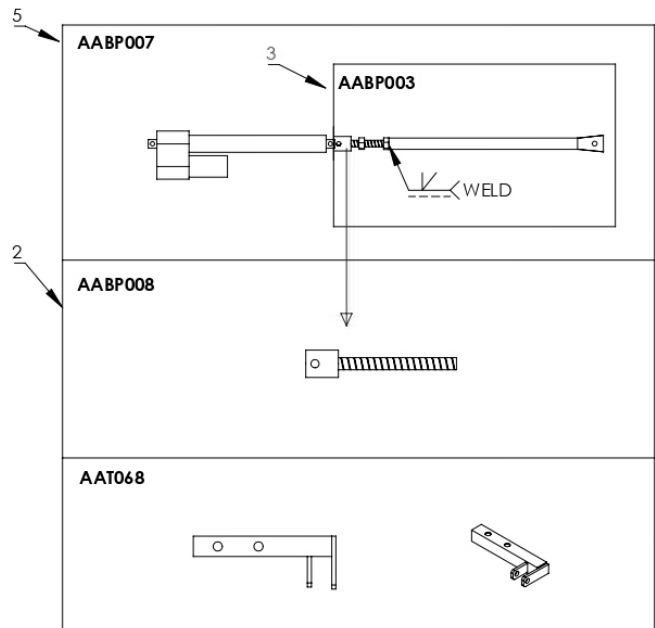
ITEM #	QTY	PART #	DESCRIPTION	ITEM #	QTY	PART #	DESCRIPTION
1	1	ZA055	DRIVE SHAFT ϕ 1-1/2"X15"	16	1	Q1X2	2" TAPER BUSHING
2	2	SA208-24	1-1/2" BEARING C/W LOCK COLLAR	17	1		KEYWAY 1/2"X1/2"X2"
3	2			18	3		3/8" X1-1/4" BOLT
4	2	F208	4-BOLT FLANGE BLOCK	19	1	80H REN	80H CHAIN X 50"
5	3		5/16"X1" BOLT	20	1		2-1/8" BEARING C/W 4-BOLT FLANGE BLOCK AND LOCK COLLAR
6	1	P1X1-1/2	1-1/2" TAPER BUSHING	21	1	UEL211 -202D1 NTN	
7	1		9/16"X3/8"X2" KEYWAY	22	1		
8	1	80H X 15	80X15 TOOTH SPLIT TAPER SPROCKET	23	2		1/2" STD FLAT WASHER
9	1		KEYWAY 3/8"X3/8"X1-1/2"	24	1	AAA008	CHAIN CASE COVER
10	2		9/16"X2-1/2" BOLT	25	2	D-2000-Z	OVER CENTER LATCH (SECURE VENT, NOT PICTURED)
11	2	AAA051	TOP SHAFT TIGHTENER C/W BOLTS				
12	6		9/16"X2" BOLT				
13	4		5/8"X2-1/2" BOLT				
14	2		1/2"X2-1/2" BOLT				
15	1	H80Q28	80X28 TOOTH SPLIT TAPER SPROCKET				





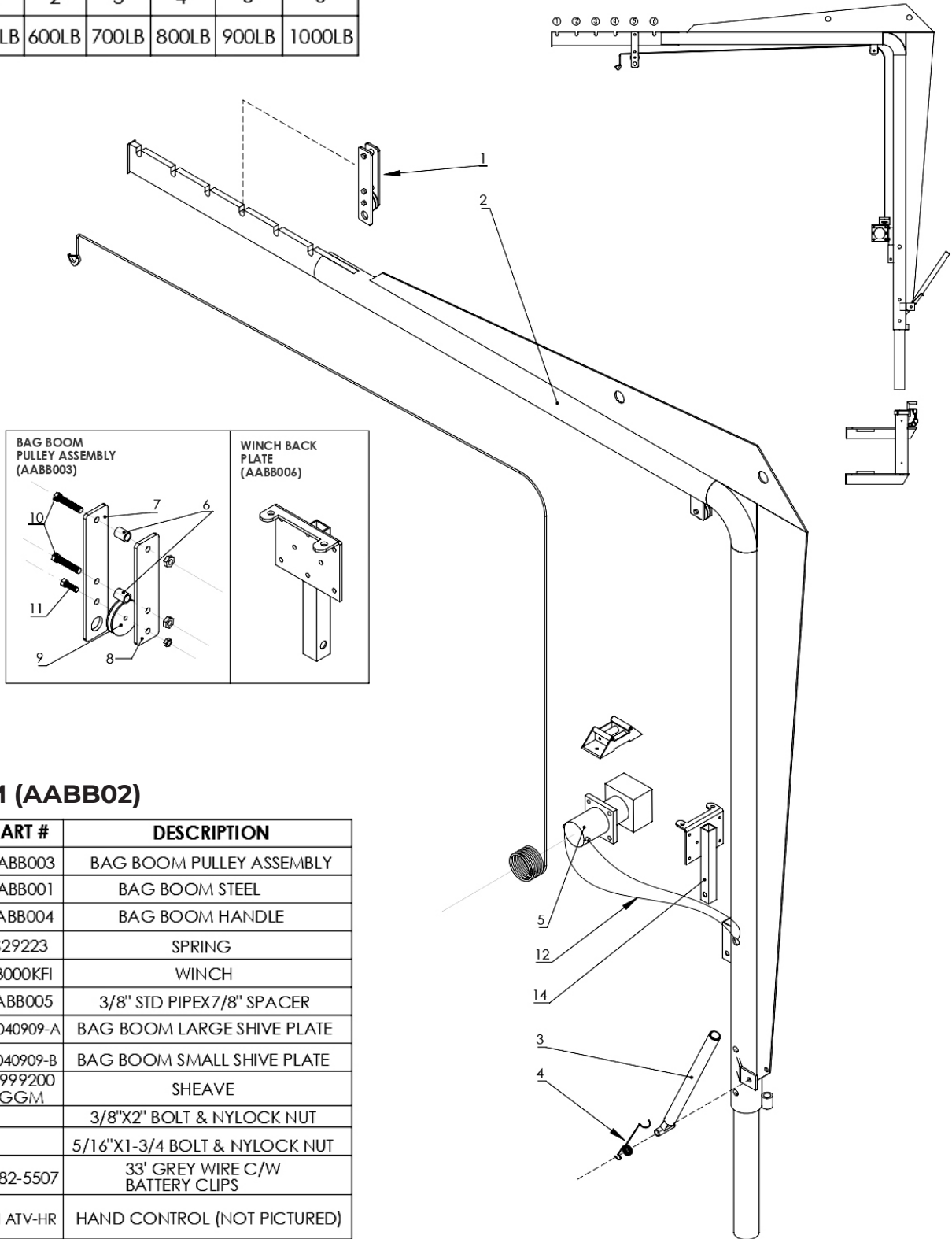
BAG PAN

ITEM #	QTY	PART#	DESCRIPTION
1	1	AABP001	BAG PAN STEEL
2	2	AABP008	BAG PAN ARM ADJ BOLT
3	2	AABP003	BAG PAN ARM (ATTACHES TO ACTUATOR)
4	1	AABP004	BAG LIFTER+ RATCHET BAR
5	2	AABP007	BAG PAN ARMS+ACTUATOR
6	2	HBDJ808	ACTUATOR ONLY
7	2		1/2"X2-1/2" CARRIAGE BOLT
8	2		1/2"X2-1/2" BOLT
9	2		1/2"X3" BOLT
10	2		1/2"X2" BOLT
11	4		1/2"X6" BOLT
12	2		1/2"X3" CLEVIS BOLT
13	2	AAT068	Bag pan arm mount



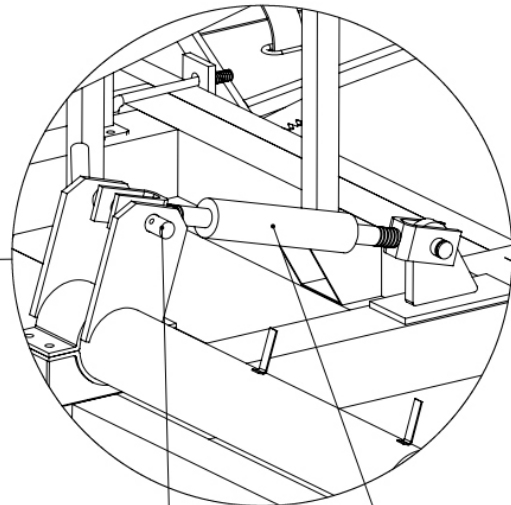
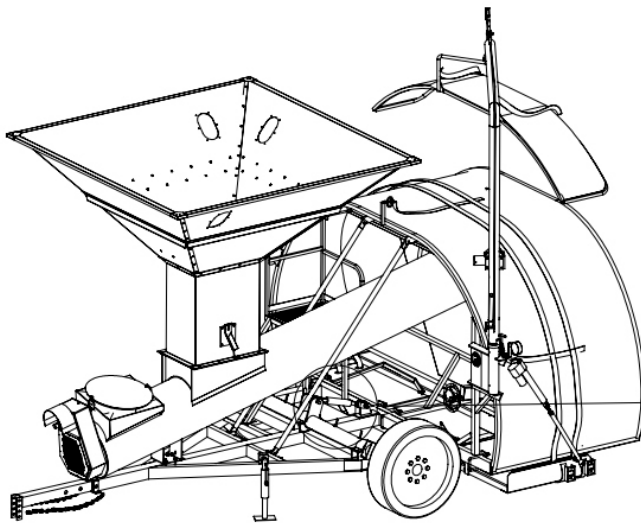
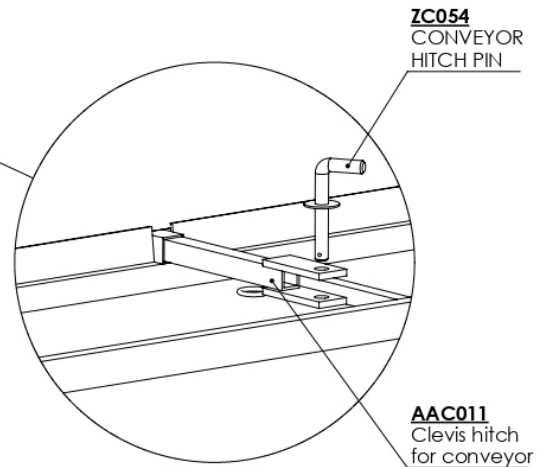
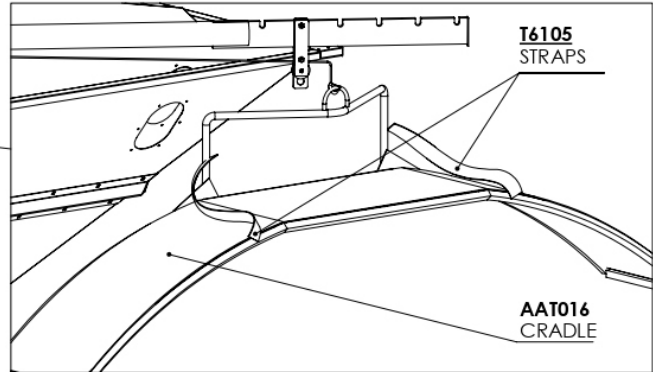
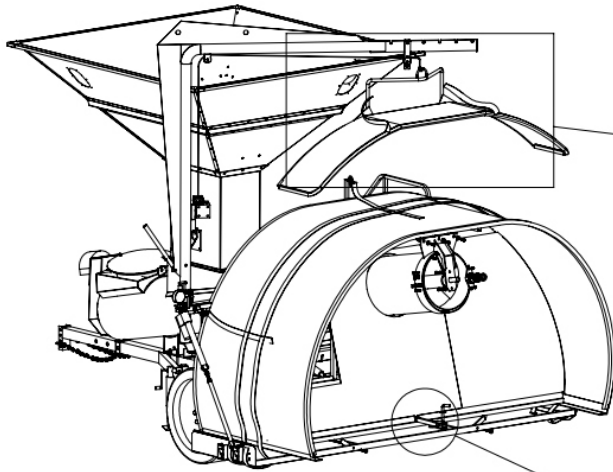
MAXIMUM WEIGHT(LBs) ON NOTCHED BAR

NOTCH #	1	2	3	4	5	6
MAX WEIGHT	500LB	600LB	700LB	800LB	900LB	1000LB



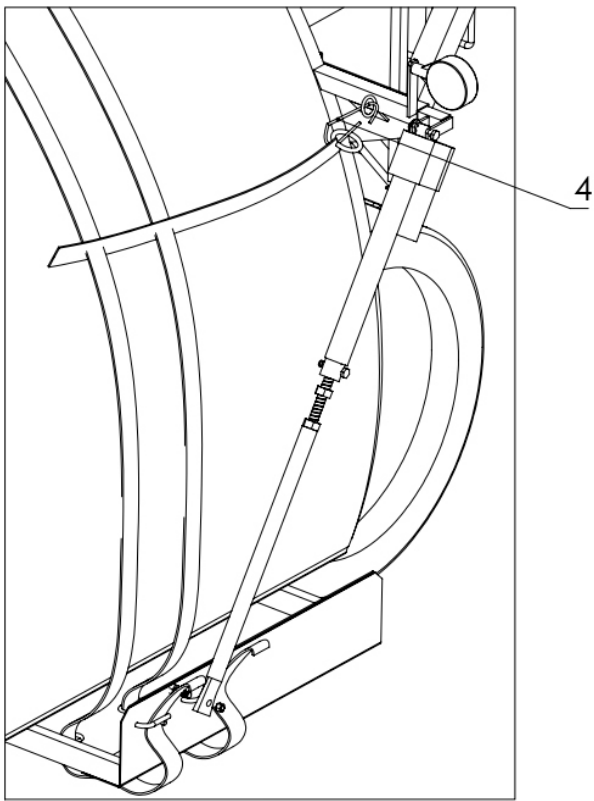
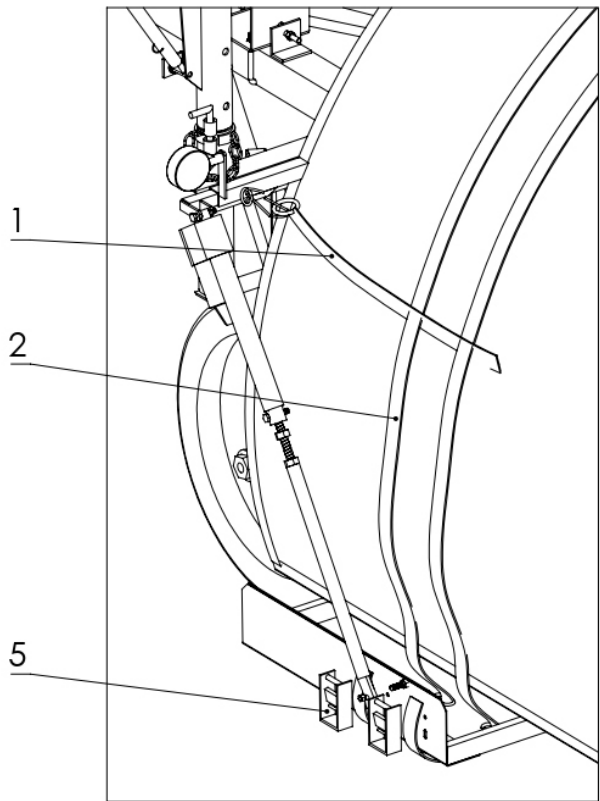
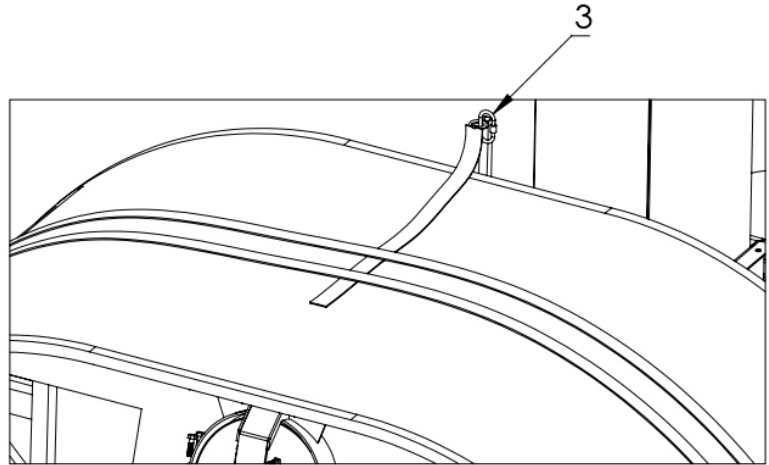
BAG BOOM (AABB02)

ITEM #	QTY	PART #	DESCRIPTION
1	1	AABB003	BAG BOOM PULLEY ASSEMBLY
2	1	AABB001	BAG BOOM STEEL
3	1	AABB004	BAG BOOM HANDLE
4	1	TS29223	SPRING
5	1	A3000KFI	WINCH
6	2	AABB005	3/8" STD PIPEX7/8" SPACER
7	1	BB040909-A	BAG BOOM LARGE SHIVE PLATE
8	1	BB040909-B	BAG BOOM SMALL SHIVE PLATE
9	1	BB999200 00GGM	SHEAVE
10	2		3/8"X2" BOLT & NYLOCK NUT
11	1		5/16"X1-3/4 BOLT & NYLOCK NUT
12	1	BB82-5507	33' GREY WIRE C/W BATTERY CLIPS
13	1	KFI ATV-HR	HAND CONTROL (NOT PICTURED)
14	1	AABB006	WINCH BACK MOUNT PLATE



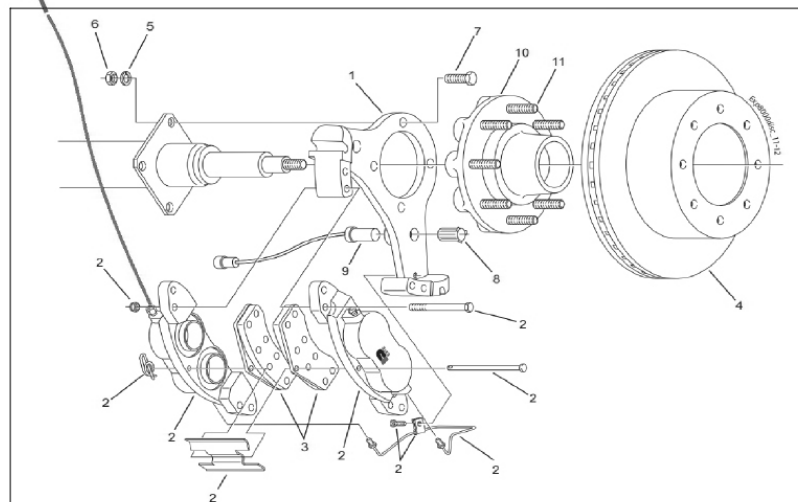
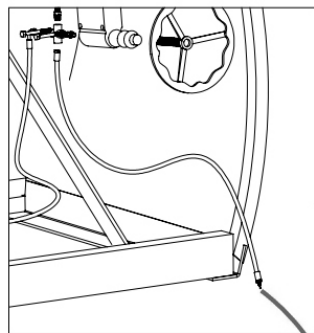
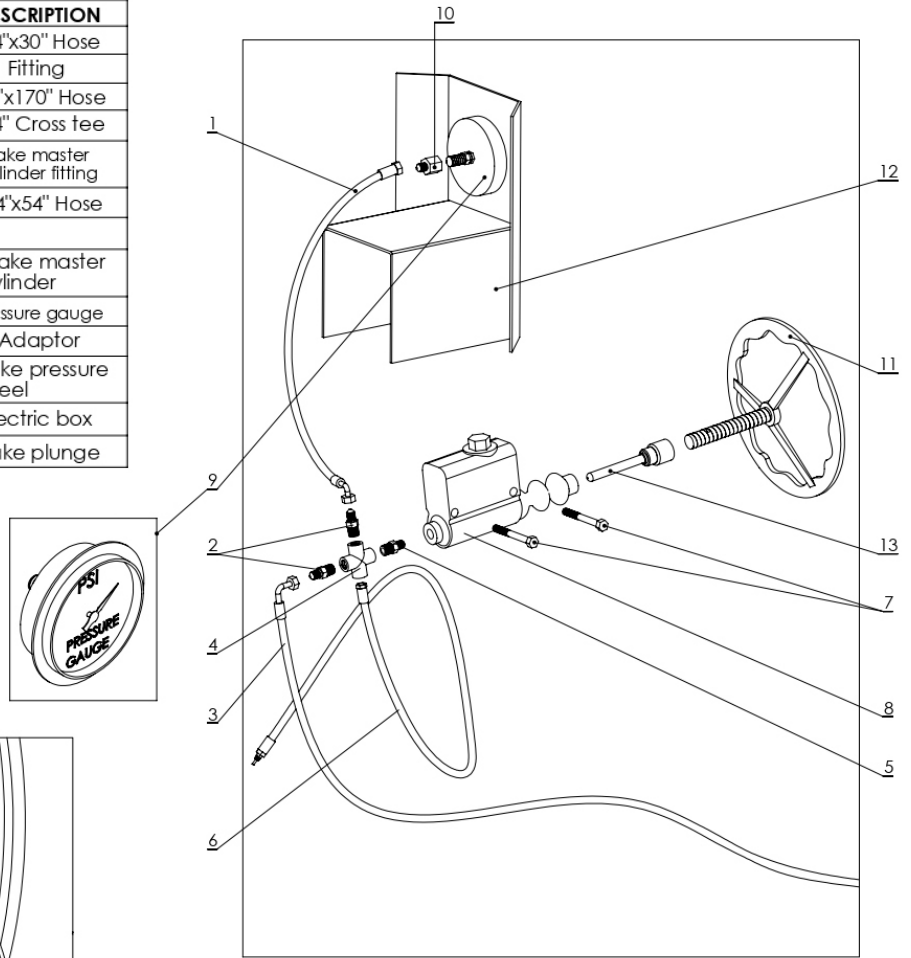
STRAP ASSEMBLY

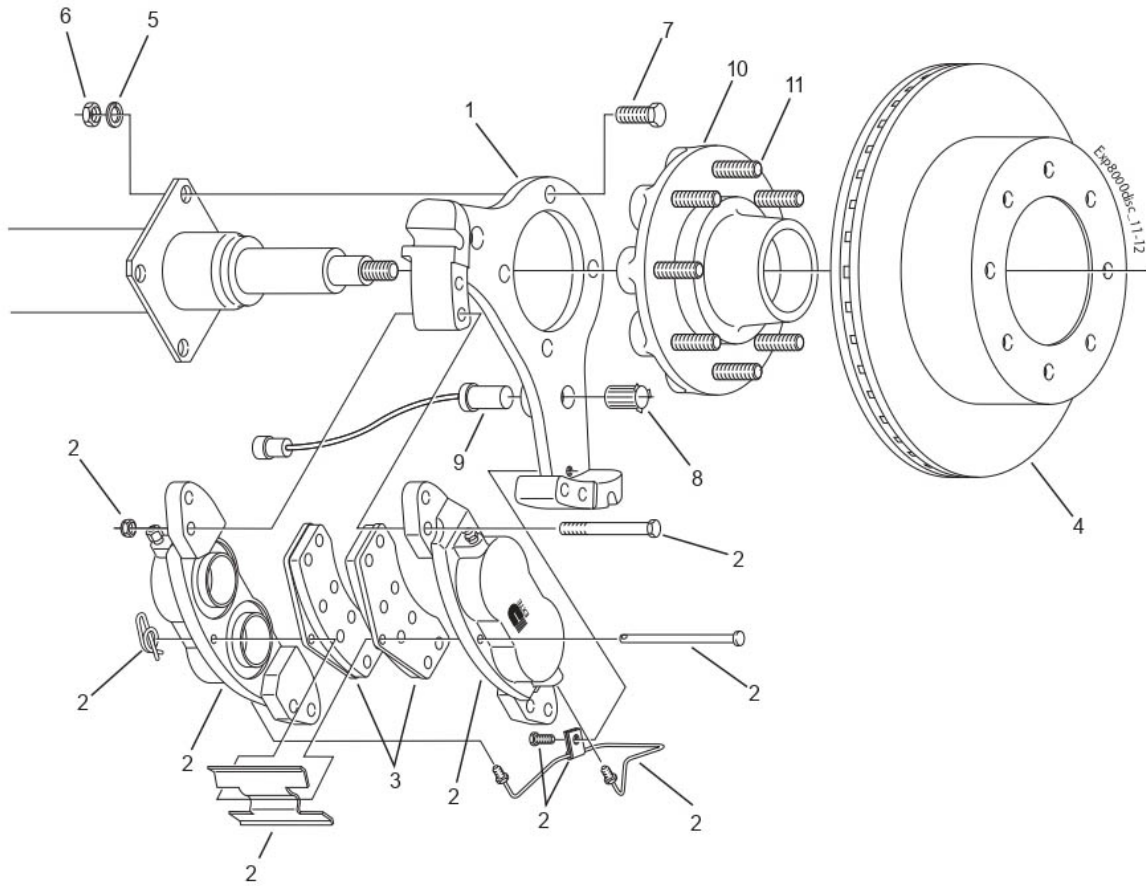
ITEM #	QTY	PART #	DESCRIPTION
1	3	AAT025	34" STRAP
2	2		24' 6" STRAP
3	1		3/8" QUICK LOCK (TOP)
4	2		1/4" SNAP LOCK (SIDES)
5	2	811	RATCHET BOLTED ON TO BAG PAN



8000 LBs BRAKE

ITEM #	QTY	PART #	DESCRIPTION
1	1	T1SN4C30FJ90BFJB	1/4"x30" Hose
2	2	S3748-4B/2404-04-04	Fitting
3	1	T1SN4C170FJ90BM13	1/4"x170" Hose
4	1	S1002-B/5652-04-04-04-04	1/4" Cross tee
5	1	S1022-BA/5404-04-02	Brake master cylinder fitting
6	1	T1SN4C54MPM13	1/4"x54" Hose
7	2	3/8"X3" BOLT	
8	1	L31-23744	Brake master cylinder
9	1	FG42CXB3000PSI-1/4NPT	Pressure gauge
10	1	S3746-4B/2405-04-04	Adaptor
11	1	AAT027	Brake pressure wheel
12	1	AAT028	Electric box
13	1	AAT059	Brake plunge





Disc Brake 8000#

Item	Part No.	Qty/Brk	Description
1	090-003-01	1	Anchor Yoke
2	K71-630-00	1	Caliper Assembly Kit for LH or RH Contains:
	4 006-045-00		Caliper Mounting Nut
	4 007-254-00		Caliper Mounting Bolt
	1 019-019-00		Cotter Ring
	1 027-060-00		Tube Clamp
	1 046-145-00		Anti-Rattle Spring
	1 054-092-00		Bleeder Screw
	1 054-094-00		Adapter Fitting
	1 056-038-00		Pad Retaining Pin
	1 071-513-00		Cross Over Hydraulic Line (yokes without notch)
	1 071-518-00		Cross Over Hydraulic Line (yokes with notch)
	1 087-002-00		Hex Bolt
	2 089-003-02		Assembled Caliper Half
3	K71-629-00	1	Brake Pad Kit (axle set)
4	K71-631-00	1	Rotor Kit
5	005-058-00	4	1/2" Lock Washer
6	006-129-01	4	1/2" Hex Nut
7	007-097-00	4	1/2" Brake Mounting Bolt
8	097-002-00	1	ABS Sensor Retaining Clip
9	097-004-00	1	ABS Sensor (straight)

Disc Brake Hubs & Studs

Item	Part No.	Qty/Brk	Description
10	008-399-05	1	Grease 9/16" Studs 8 on 6.50
10	008-399-06	1	Oil 9/16" Studs 8 on 6.50
10	008-399-07	1	Grease 5/8" Studs 8 on 6.50
10	008-399-08	1	Oil 5/8" Studs 8 on 6.50
11	007-257-00	8	9/16-18 x 2.50" Press-in Stud
11	007-115-00	8	5/8-18 x 3.16" Press-in Stud

Disc Brake 8000# With 50MM Nev-R-Lube®

Item	Part No.	Qty/Brk	Description
1	090-007-01	1	Anchor Yoke
2	K71-630-00	1	Caliper Assembly Kit for LH or RH Contains:
	4 006-045-00		Caliper Mounting Nut
	4 007-254-00		Caliper Mounting Bolt
	1 019-019-00		Cotter Ring
	1 027-060-00		Tube Clamp
	1 046-145-00		Anti-Rattle Spring
	1 054-092-00		Bleeder Screw
	1 054-094-00		Adapter Fitting
	1 056-038-00		Pad Retaining Pin
	1 071-513-00		Cross Over Hydraulic Line (yokes without notch)
	1 071-518-00		Cross Over Hydraulic Line (yokes with notch)
	1 087-002-00		Hex Bolt
	2 089-003-02		Assembled Caliper Half
3	K71-629-00	1	Brake Pad Kit (axle set)
4	K71-631-00	1	Rotor Kit
5	005-058-00	4	1/2" Lock Washer
6	006-129-01	4	1/2" Hex Nut
7	007-097-00	4	1/2" Brake Mounting Bolt
8	097-002-00	1	ABS Sensor Retaining Clip
9	097-004-00	1	ABS Sensor (straight)

Nev-R-Lube® Disc Brake Hubs

Item	Part No.	Qty/Brk	Description
10	008-402-80	1	9/16" Studs, 50mm 8 on 6.50
10	008-402-81	1	5/8" Studs, 50mm 8 on 6.50
11	007-257-00	8	9/16-18 x 2.50" Press-in Stud
11	007-115-00	8	5/8-18 x 3.16" Press-in Stud



PRO GRAIN EQUIPMENT LTD.

BOX 188
COLONSAY, SK S0K 0Z0

TEL. 306-255-2112
FAX. 306-255-2113