

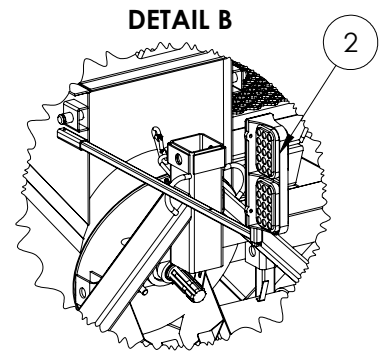
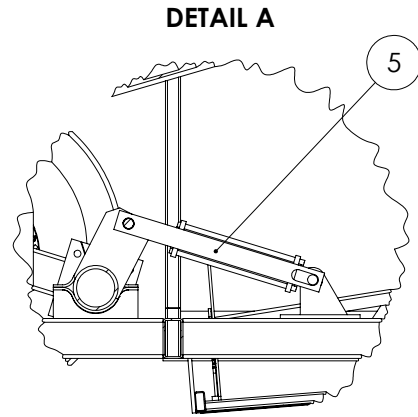
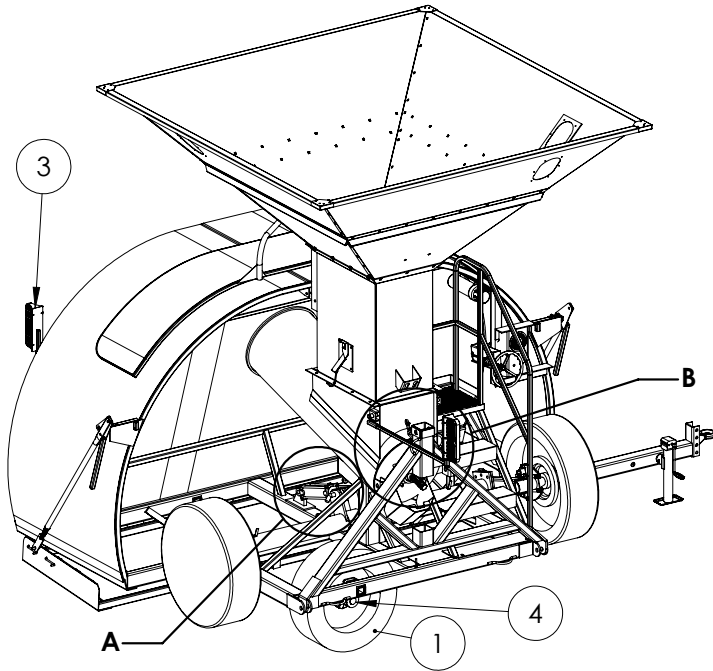
PRO GRAIN

EQUIPMENT



PRO GRAIN BAGGER B-2010H PARTS MANUAL

Transport kit	3
Dimensions	4
Tunnel	5
Disassembled	6
A-frame & support	7
Bag pan & arm	8
Auger & flighting	9
Hopper	10
Crane	11
Hydraulic & cradle	12
Straps	13
Brake	14



TRANSPORT			
ITEM #	QTY	PART #	DIAGRAM
1	2	ST205/75R15 TRANSPORT TIRE	
2	1	AAT083 INLET LIGHT MOUNT AAT085 LIGHT MOUNT SIGNAL LIGHT LEDJAC2L4	
3	1	AAT084 BACK LIGHT MOUNT AAT085 LIGHT MOUNT SIGNAL LIGHT LEDJAC2R4	
4	2	AAT071 TRANSPORT AXLE 3500lb	
5	1	AAT091 TRANSPORT LOCK	



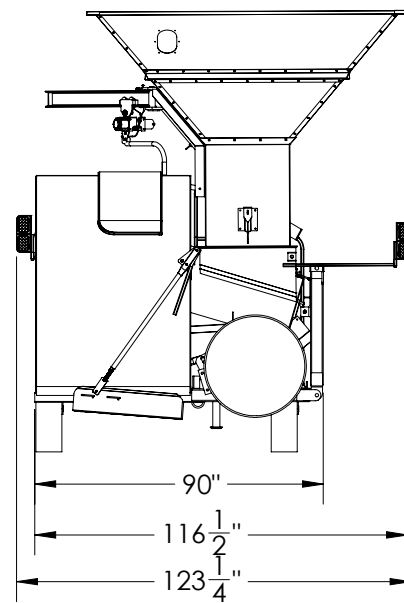
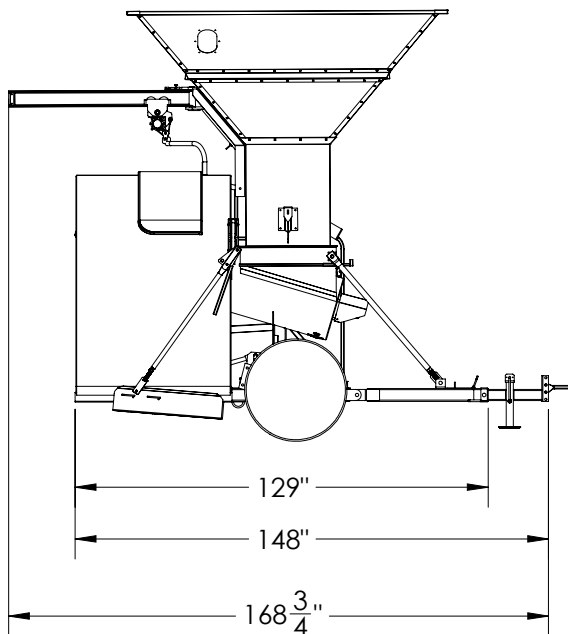
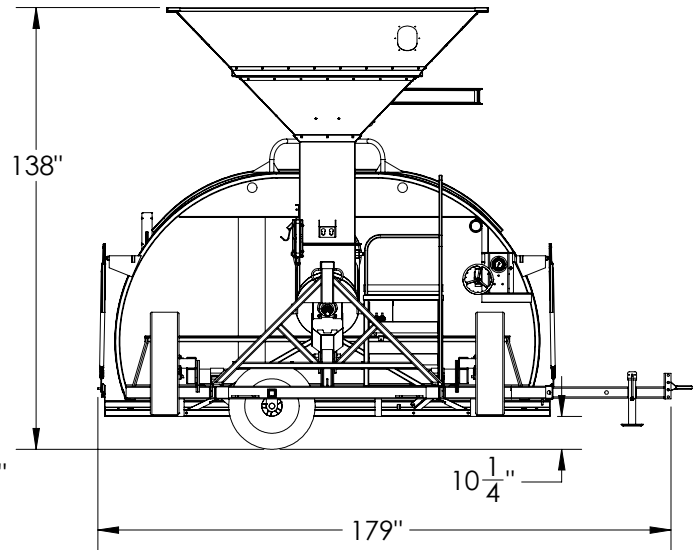
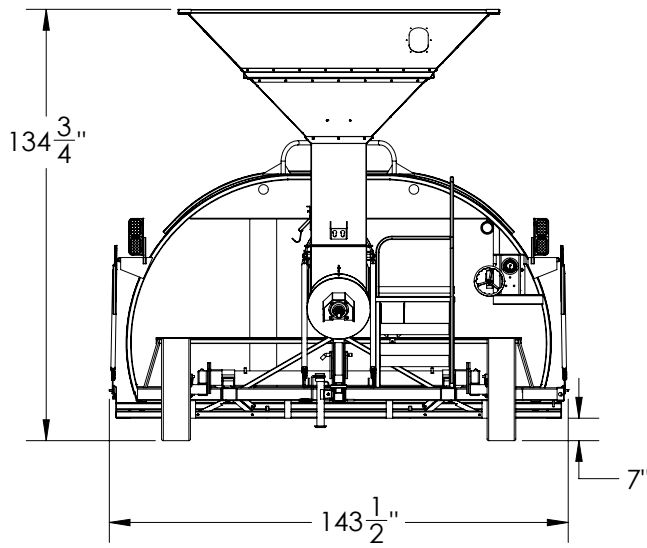
LIGHT
CONNECTOR

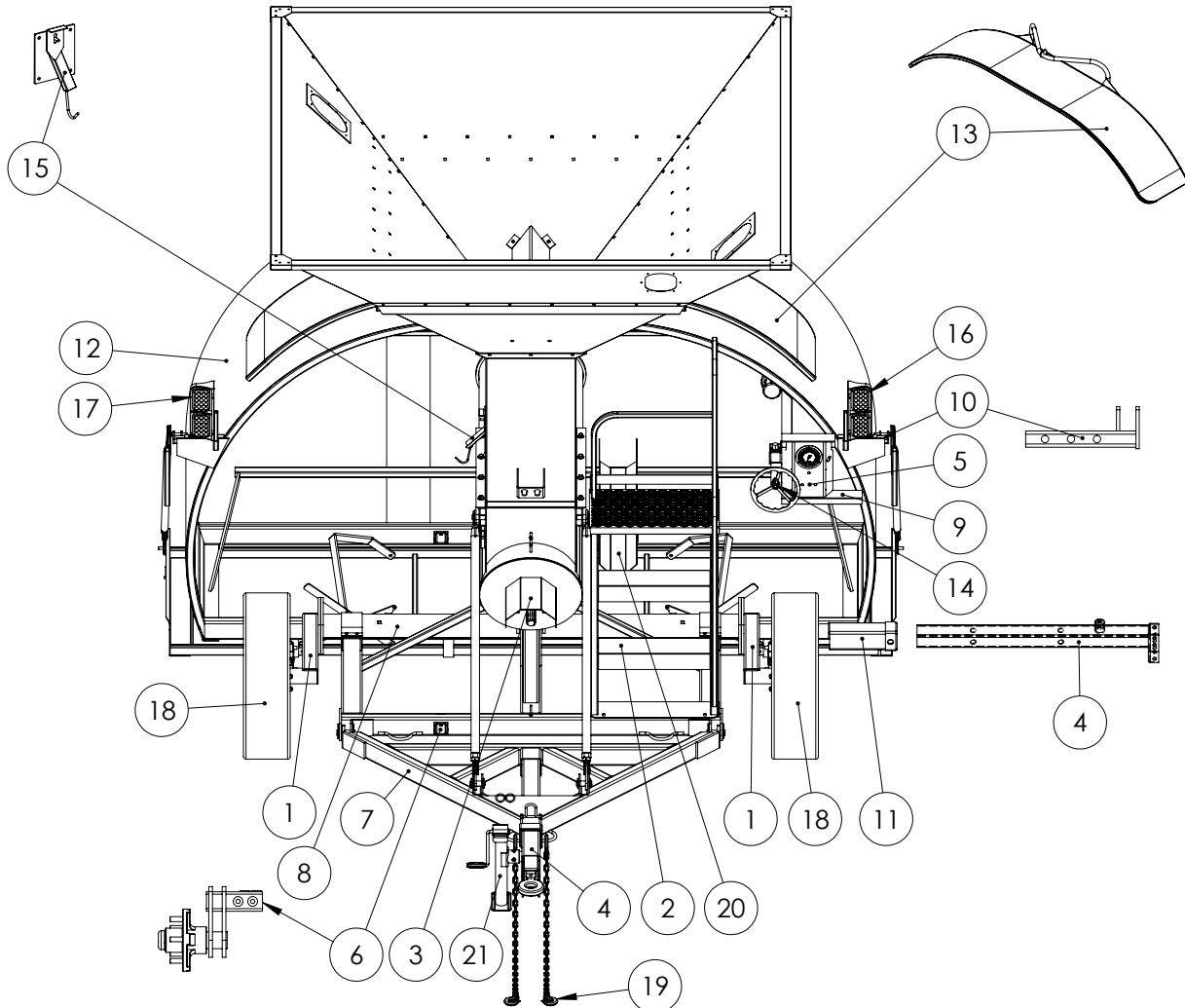
TRACTOR
CONNECTOR

TRUCK
CONNECTOR

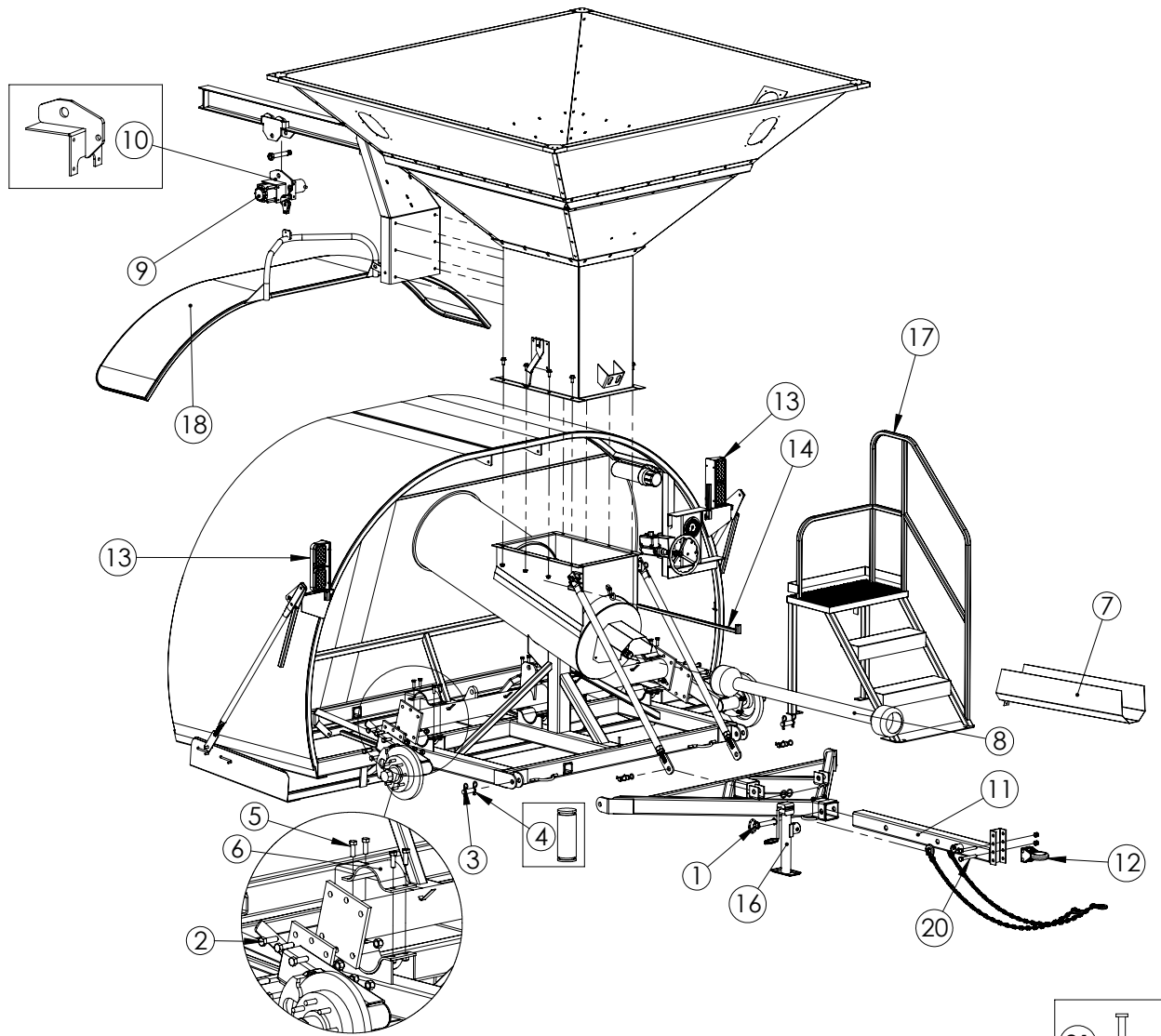
WORK MODE

TRANSPORT MODE

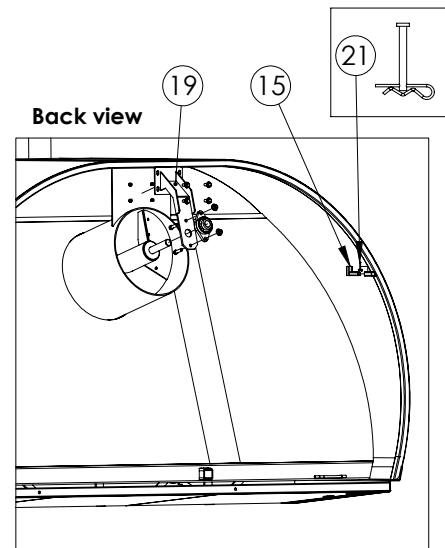


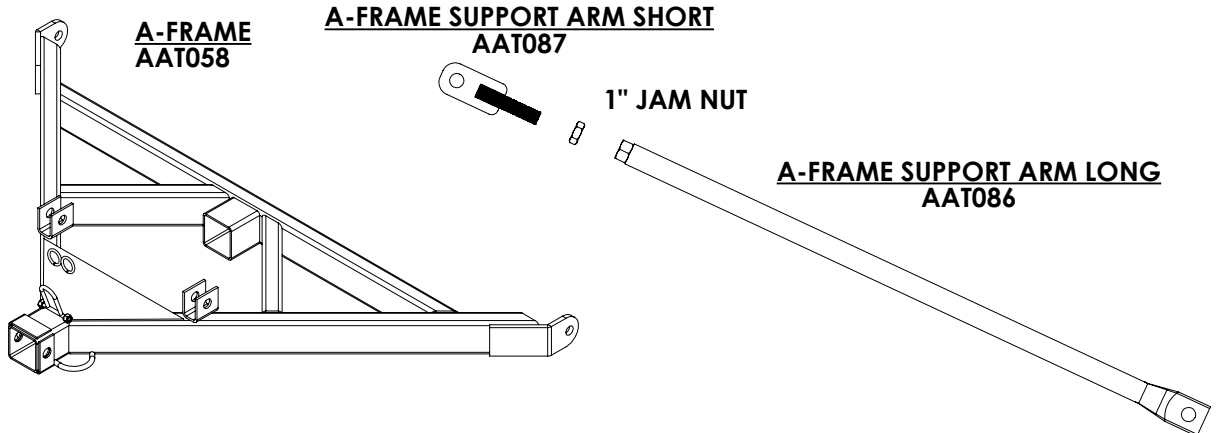
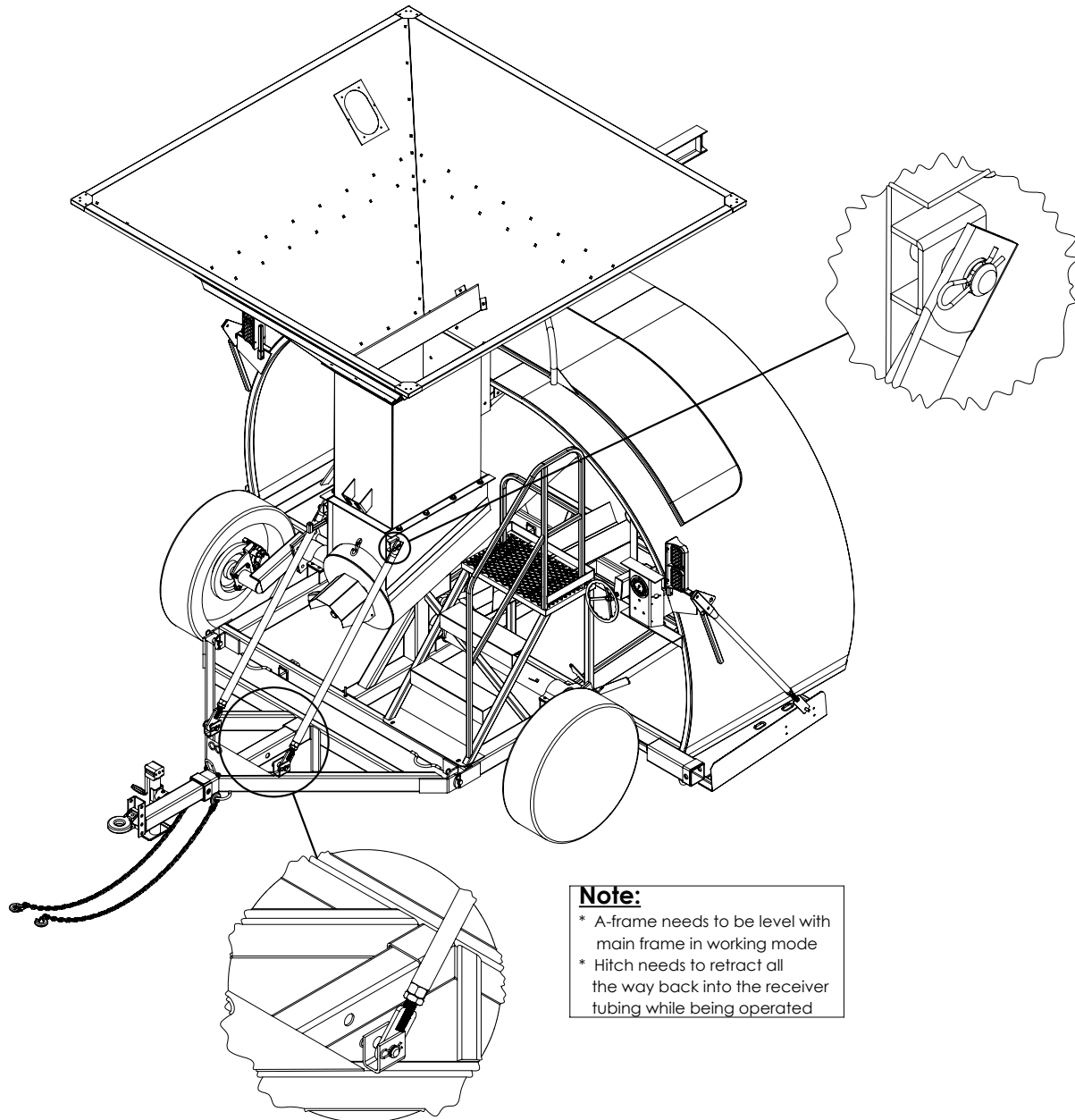


TUNNEL							
ITEM #	QTY	PART #	DESCRIPTION	ITEM #	QTY	PART#	DESCRIPTION
1	2	AAT001	AXLE STUBS LEFT&RIGHT	12	1	AAT066	TUNNEL
2	1	AAT056	PLATFORM B-2010H	13	1	AAT057	CRADLE
3	1	AAT070	PTO COVER B-2010H	14	1	AAT027	BRAKE ADJUSTMENT WHEEL
4	1	AAT080	A-FRAME HITCH	15	1	AAH006	AUTOMATIC GRAIN SAMPLER
5	1	AAT077	ELECTRICAL CONTROL BOX	16	1	LEDJAC2R4	SIGNAL LIGHT
6	2	AAT071	TRANSPORT AXLE STUB	17	1	LEDJAC2L4	SIGNAL LIGHT
7	1	AAT058	A-FRAME	18	2	TIRLT 235/85R16	BAGGER TIRE
8	1	AAT055	AXLE	19	2	AASC00155	SAFETY CHAIN
9	1	AAT062	ELECTRICAL BOX MOUNT	20	1	AAT069	PTO HOLDER
10	2	AAT068	BAG PAN ARM MOUNT	21	1	F95- TJP5001SB	5000LB SW JACK
11	2	AAT063	TUNNEL RECEIVER TUBE	22			



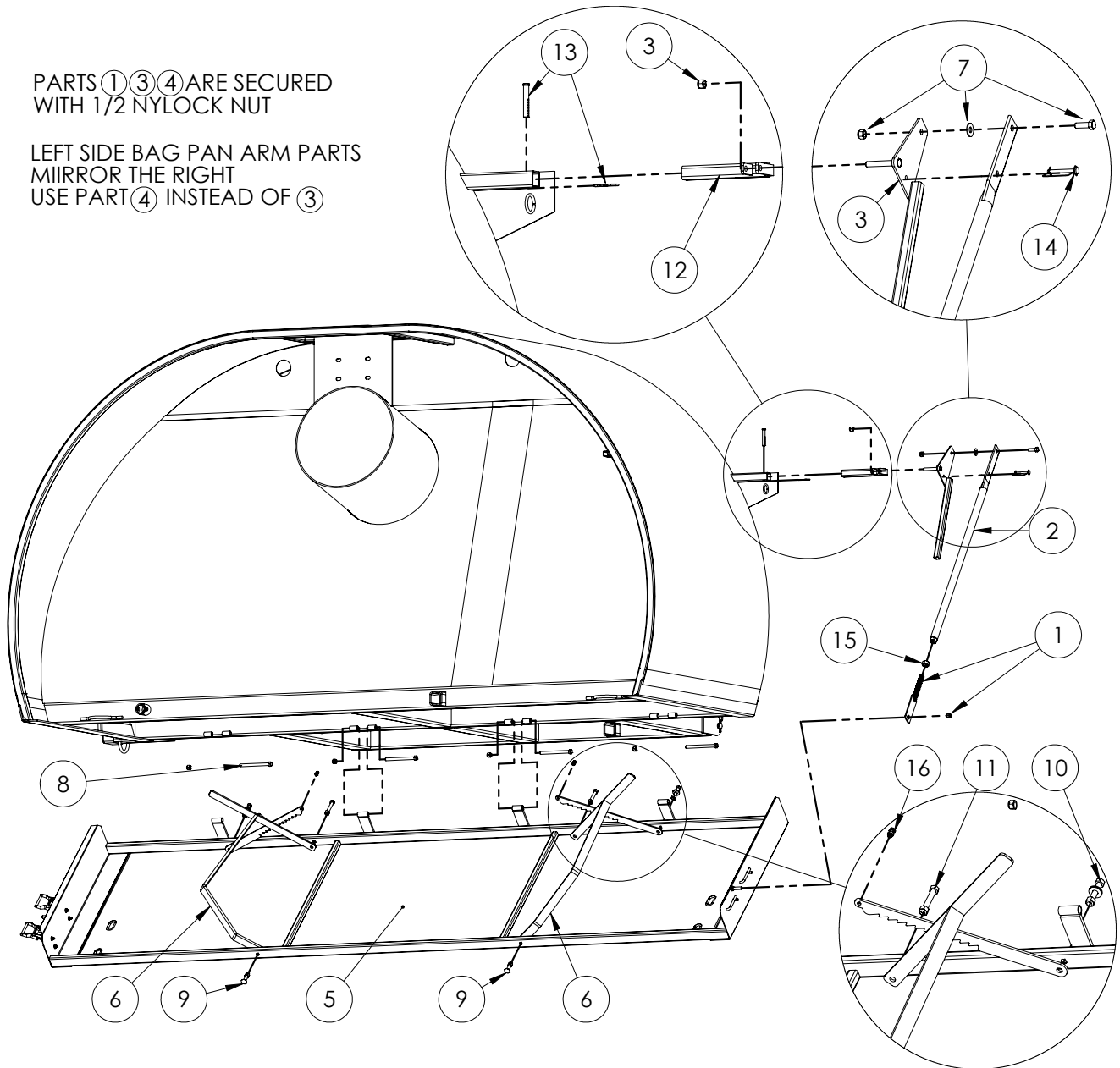
B-2010H			
ITEM#	QTY	PART#	DESCRIPTION
1	1	1" X 5-1/4" HITCH PIN	HITCH PIN
2	X12		5/8" X 2 BOLT + NYLOCK NUT
3	X14		3/16" HAIR PIN
4	X4		1"OD X 2-7/8" DOUBLE CLIP HYDRAULIC PIN
5	X12		1/2" X 1-1/2" BOLT + NYLOCK NUT
6	3	ZAF002L	SADDLE PLATE
7	1	AAT069	PTO HOLDER
8	1	262-28286	PTO
9	1	A3000KFI	3000LB WINCH
10	1	AAT065	WINCH MOUNT B-2010H
11	1	AAT006H	A-FRAME HITCH
12	1	CDT-126VR	BASE, HITCH CAST
13	1/1	LEDJAC2L4 / LEDJAC2R4	SIGNAL LIGHT LEFT + RIGHT
14	1	AAA083	LONG LIGHT MOUNT
15	1	AAA084	SHORT LIGHT MOUNT
16	1	F95-TJP5001SB	5000LB SW JACK
17	1	AAT056	PLATFORM B-2010H
18	1	AAT057	CRADLE B-2010H
19	1	AAA035	REAR AUGER SUPPORT B-2010H
20	X2		5/8" X 4-1/2" BOLT + NYLOCK NUT
21	X4		3/16" CLEVIS PIN + HAIR PIN





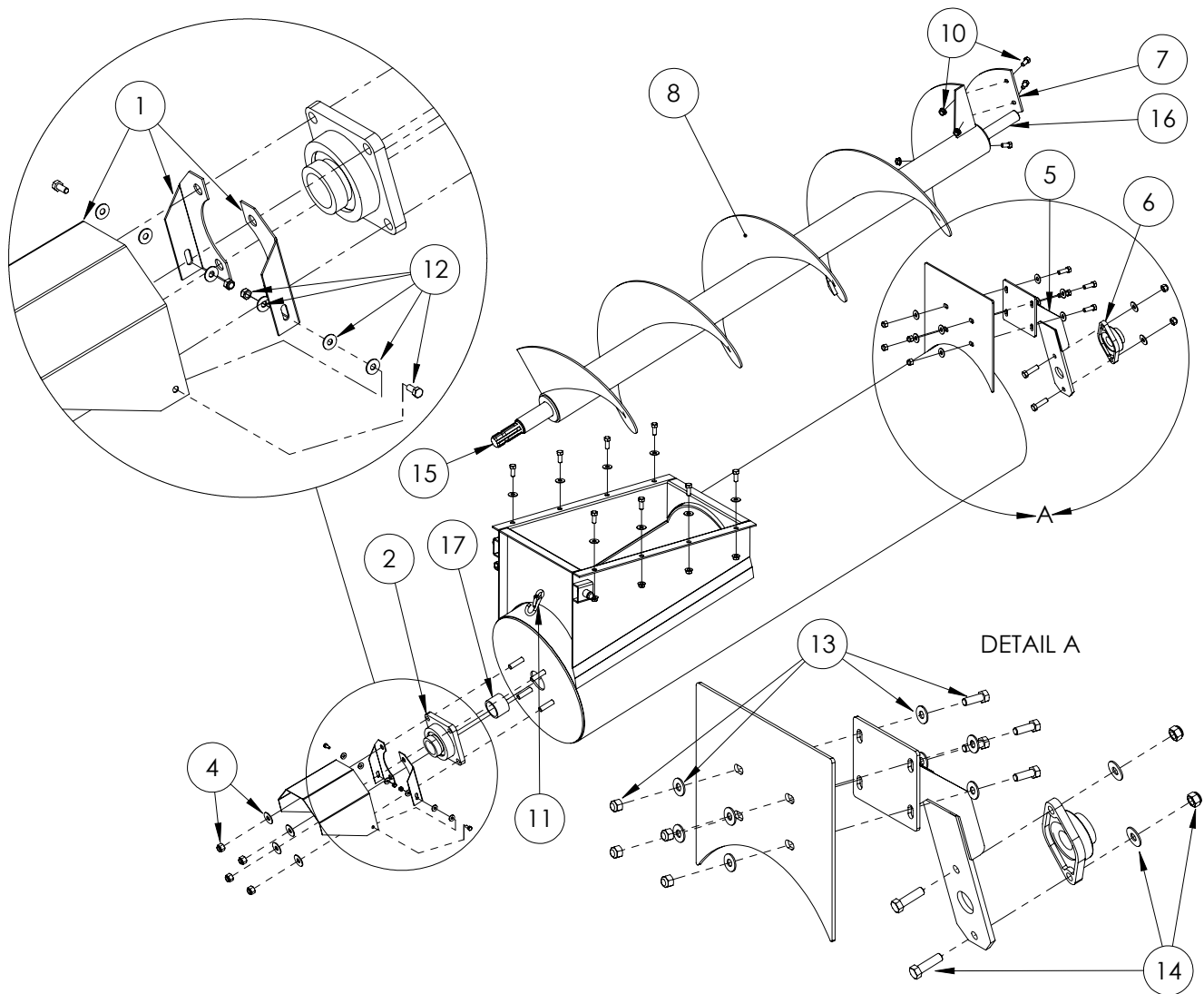
PARTS ①③④ ARE SECURED WITH 1/2 NYLOCK NUT

LEFT SIDE BAG PAN ARM PARTS MIRROR THE RIGHT USE PART ④ INSTEAD OF ③

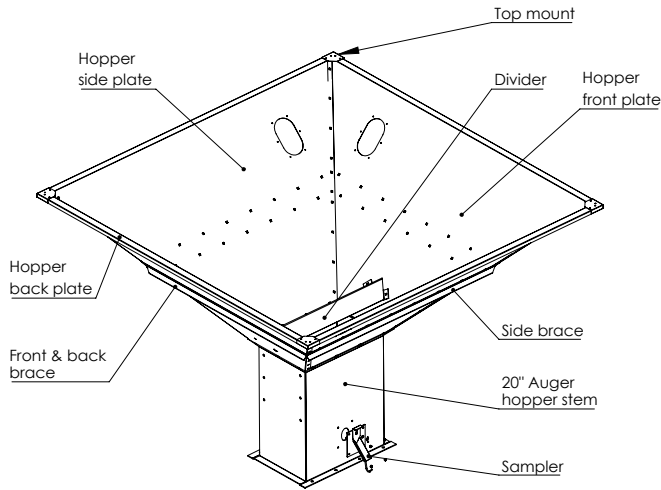


BAG PAN & BAG PAN ARMS

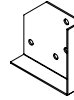
ITEM#	QTY	PART#	DESCRIPTION	ITEM#	QTY	PART#	DESCRIPTION
1	2	AABP018	BAG PAN ARM ADJUSTERS	9	X2		1/2" X 2-1/2" CARRIGE BOLT + NYLOCK NUT
2	2	AABP013	BAG PAN ARM PIPE	10	X2		1/2" X 2-1/2" BOLT + NYLOCK NUT + 1/2 WASHER-X2
3	1	AABP015	BAG PAN LIFT RIGHT HAND	11	X2		1/2" X 3" BOLT + NYLOCK NUT
4	1	AABP014	BAG PAN LIFT LEFT HAND	12	2	AAT068	BAG PAN ARM MOUNT
5	1	AABP012	BAG PAN	13	X2		1/2" X 3" CLEVIS BOLT + HAIR PIN
6	2	AABP004	BAG TENTIONER (L+R) AND RATCHET BAR	14	2	QP516.212	5/16" X 2-1/2" LOCK PIN
7	X2		1/2" X 1-1/2" BOLT + NYLOCK NUT + 1/2 WASHER	15	2		3/4" NUT
8	X4		1/2" X 6" BOLT + NYLOCK NUT	16	X2		5/16 X 3/4 BOLT + NUT



AUGER			
ITEM#	QTY	PART#	DESCRIPTION
1	1	AAT070	PTO COVER + MOUNTS
2	1	FU211N1D1 / UEL211-203D1	4 BOLT DUCTILE FLANGE / 2-3/16" BEARING ECCENTRIC LOCKING COLLAR
3	X4		5/8" NYLOCK NUT + 5/8" WASHER
4	1	AAA031	B-2010H AUGER TUBE
5	1	AAA035	B-2010H REAR AUGER SUPPORT
6	1	FL208 / SA208-24	2 BOLT FLANGE / 1-1/2" BEARING ECCENTRIC LOCKING COLLAR
7	1	AAA021	WEAR PLATE FOR 20" AUGER
8	1	AAA032	B-2010H FLIGHTING
9	X8		1/2" X 1-1/4" HEX BOLT + 1/2" NYLOCK HEX NUT + 1/2" WASHER
10	X3		1/2" X 1" HEX BOLT + 1/2" SERRATED FLANGE NUT
11	X1		3/8" SNAP LINK
12	X2		5/16" X 3/4" HEX BOLT + 5/16" NYLOCK NUT + 5/16" WASHER X3
13	X4		1/2" X 1-1/2" HEX BOLT + 1/2" NYLOCK NUT + 1/2" WASHER X2
14	X2		9/16" X 2" HEX BOLT + 9/16" NYLOCK NUT + 9/16" WASHER
15	1	AAA030	2-3/16" DIRECT DRIVE
16	1	AAA049	1-1/2" DRIVEN SHAFT
17	1	ZA080	B-2010H FLIGHTING SPACER

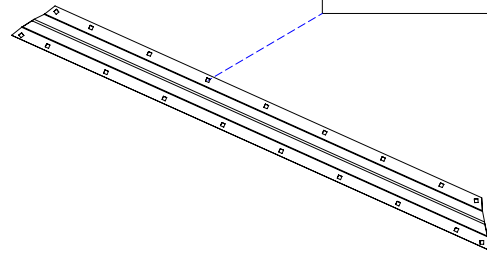


TOP MOUNT



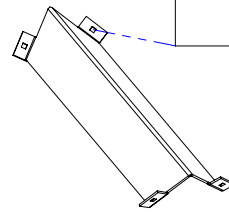
SIDE BRACE

3/8"X3/4"
Carriage bolt(x116)

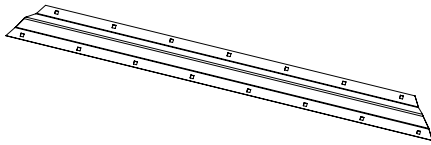


DIVIDER

7/16"X1"
Carriage bolt(x4)

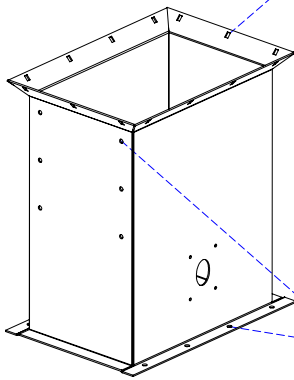


**FRONT & BACK
BRACE**



STEM

7/16"X1"
Carriage bolt(x14)



1/2"X1-1/4"
bolt(x14)



SAMPLER

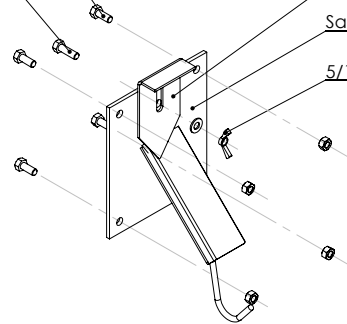
5/16"x3/4" bolt(x4)

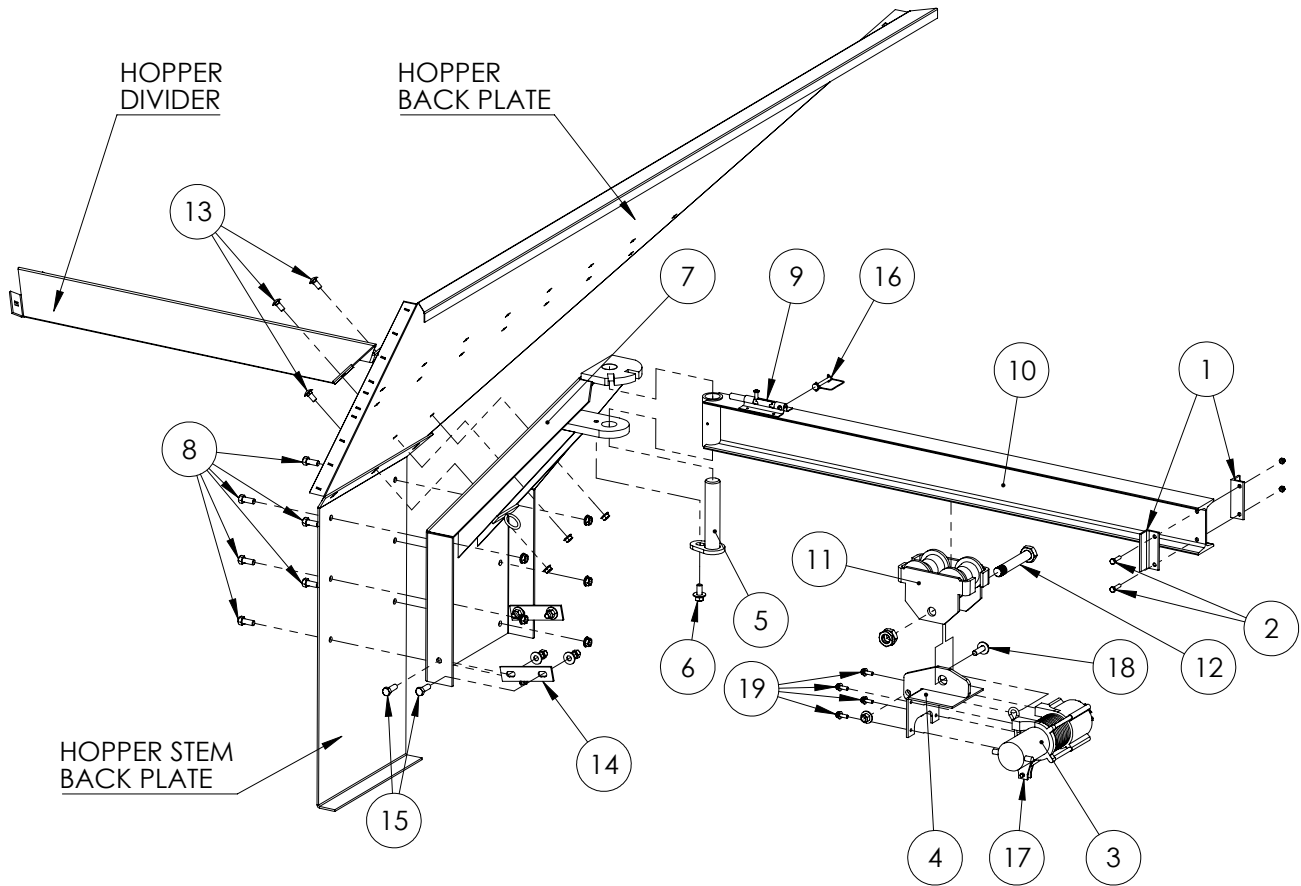
5/16"x3/4" bolt

Sampler slide

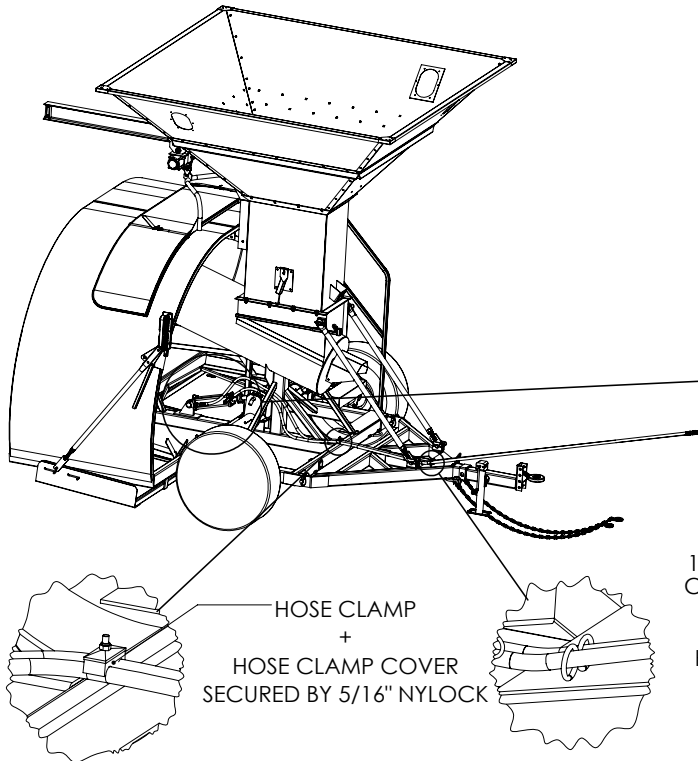
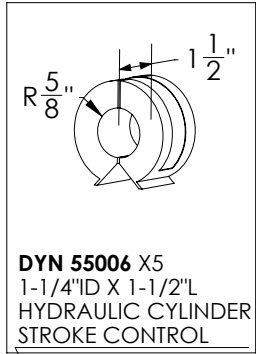
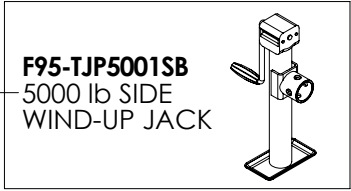
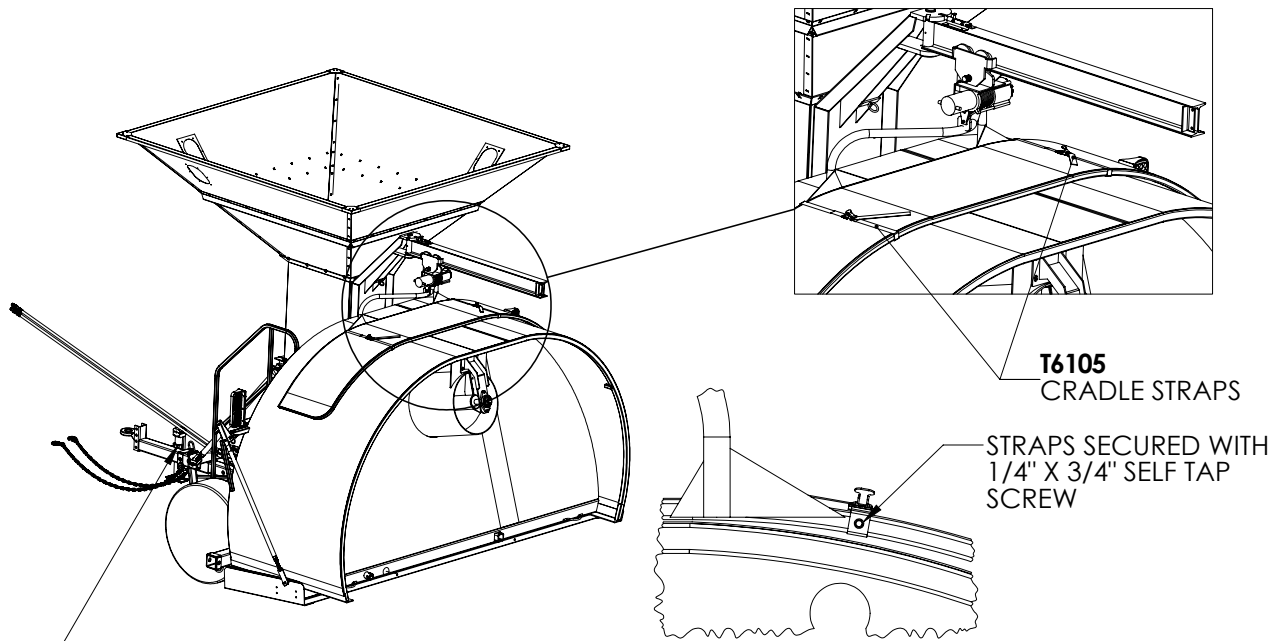
Sampler plate

5/16" Wing nut

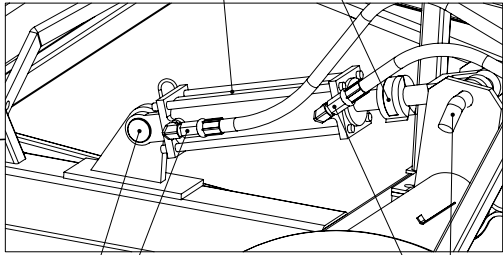




CRANE			
ITEM#	QTY	PART#	DESCRIPTION
1	2	AABB012	TROLLEY STOP
2	X2		5/16" X 1-1/4" BOLT + NYLOCK NUT
3	1	A3000KFI	3000LB WINCH
4	1	AAT065	WINCH MOUNT
5	1	AABB011	CRANE PIN
6	X1		1/2" X 1-1/4" BOLT + LOCK WASHER + WASHER
7	1	AABB009	BAG CRANE MOUNT
8	X6		1/2" X 1-1/4" BOLT + FLANGE NUT
9	1	HD5" BARREL BOLT	5" BOLT HOLDER LATCH
10	1	AABB010	CRANE BEAM
11	1	8873325	1 TON MANUAL TROLLEY
12	1	AABB014	WINCH MOUNT AXLE BOLT
13	X3		7/16" X 1" CARRIAGE BOLT + FLANGE NUT
14	2	ZBB051	CRANE SIDE MOUNT
15	X4		1/2" X 1-1/2" BOLT + WASHERS + NYLOCK NUT
16	X1		5/16" X 2-1/2" LOCK PIN
17	1	8796328	8000LB 2-1/4" PULLEY BLOCK
18	X1		1/2" X 1-3/4" BOLT + WASHER X2 + NYLOCK NUT
19	X4		M8 X 25MM + LOCK WASHER + WASHER



30AGU08-10
HYDRAULIC CYLINDER

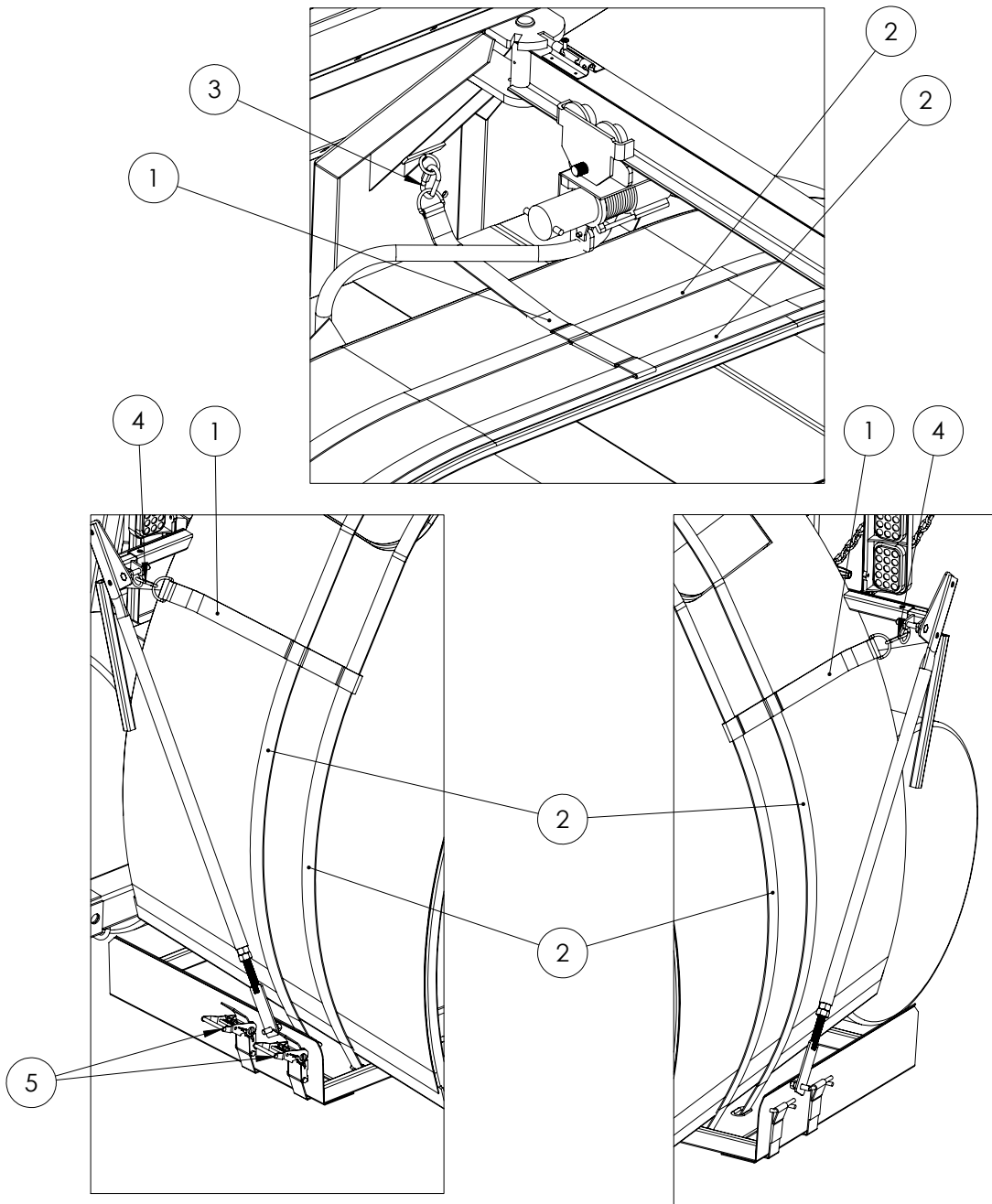


1" X 4-1/4"
CLEVIS PIN
+
3/16"
HAIR PIN

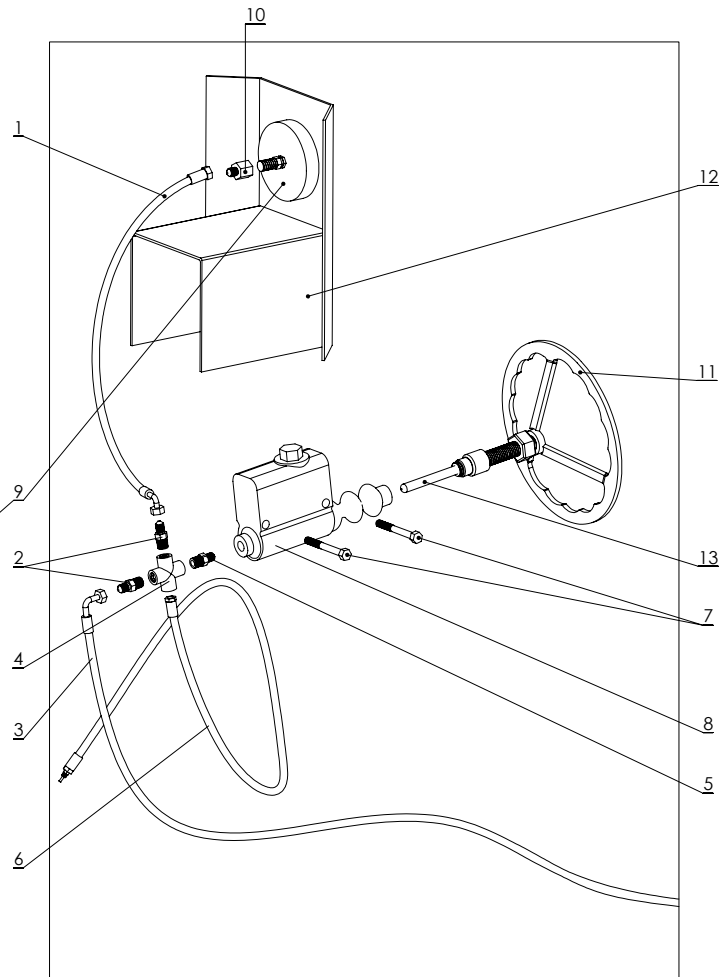
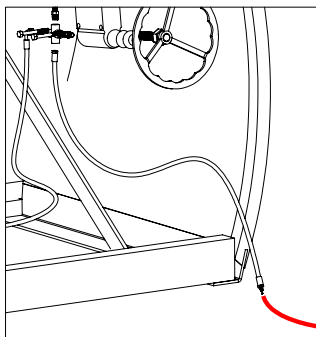
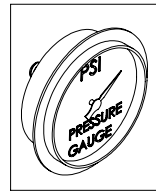
EC215-08-172"X8MPX8FJ AER
EC215-08-184"X8MPX8FJ AER

AAT017
PIN

STRAPS/ AAT025 + RACHETS/ 811			
ITEM#	QTY	PART#	DESCRIPTION
1	3		34" STRAP
2	2		24'-6" STRAP
3	1		3/8" QUICK LICK
4	2		1/4" SNAP LINK
5	2	811	RATCHET



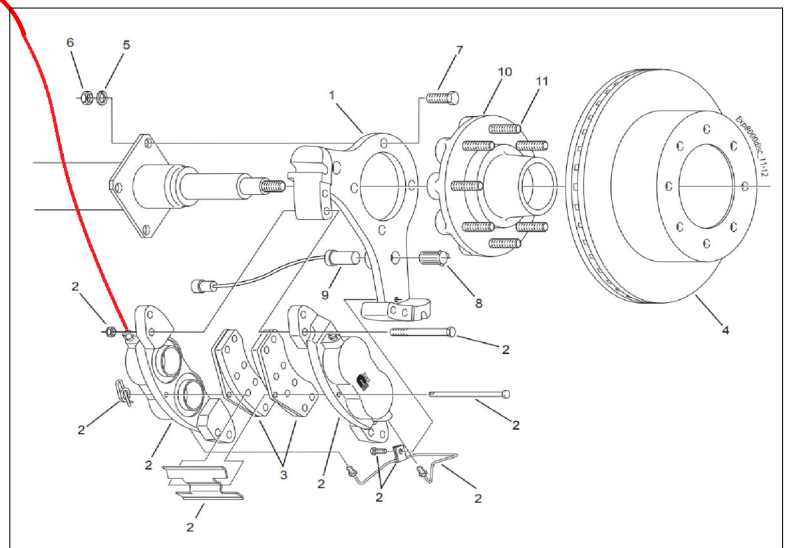
BRAKE SYSTEM			
ITEM#	QTY	PART#	DESCRIPTION
1	1	T1SN4C30FJ90BFJB	1/4" X 30" HOSE
2	2	S3748-4B/2404-04-04	FITTING
4	1	S1002-B/5652-04-04-04-04	1/4" CROSS TEE
5	1	S1022-BA/5404-04-02	BRAKE MASTER CYLINDER FITTING
7	X2		3/8" X 3" BOLT + WASHER + NYLOCK NUT
8	1	L31-23744	BRAKE MASTER CYLINDER
9	1	FG42CXB3000PSI-1/4NPT	PRESSURE GAUGE
10	1	S3746-4B/2405-04-04	ADAPTOR
11	1	AAT027	BRAKE PRESSURE WHEEL
12	1	AAT028	ELECTRICAL BOX
13	1	AAT059	BRAKE PLUNGER



DEXTER BRAKE SYSTEM			
ITEM#	QTY	PART#	DESCRIPTION
3	1	T1SN4C170FJ90BBI3	1/4" X 170" HOSE
6	1	T1SN4C54MPMI33VF	1/4" X 54" HOSE

LIPERT BRAKE SYSTEM			
ITEM#	QTY	PART#	DESCRIPTION
3	1	T1SN4C170FJ90BBI390	1/4" X 170" HOSE
6	1	T1SN4C54MPMI390	1/4" X 54" HOSE

**TO REPLACE BRAKE ASSEMBLY COMPONENTS
CONTACT YOUR DEALER**





PRO GRAIN EQUIPMENT LTD.

BOX 188
COLONSAY, SK S0K 0Z0

TEL. 306-255-2112
FAX. 306-255-2113