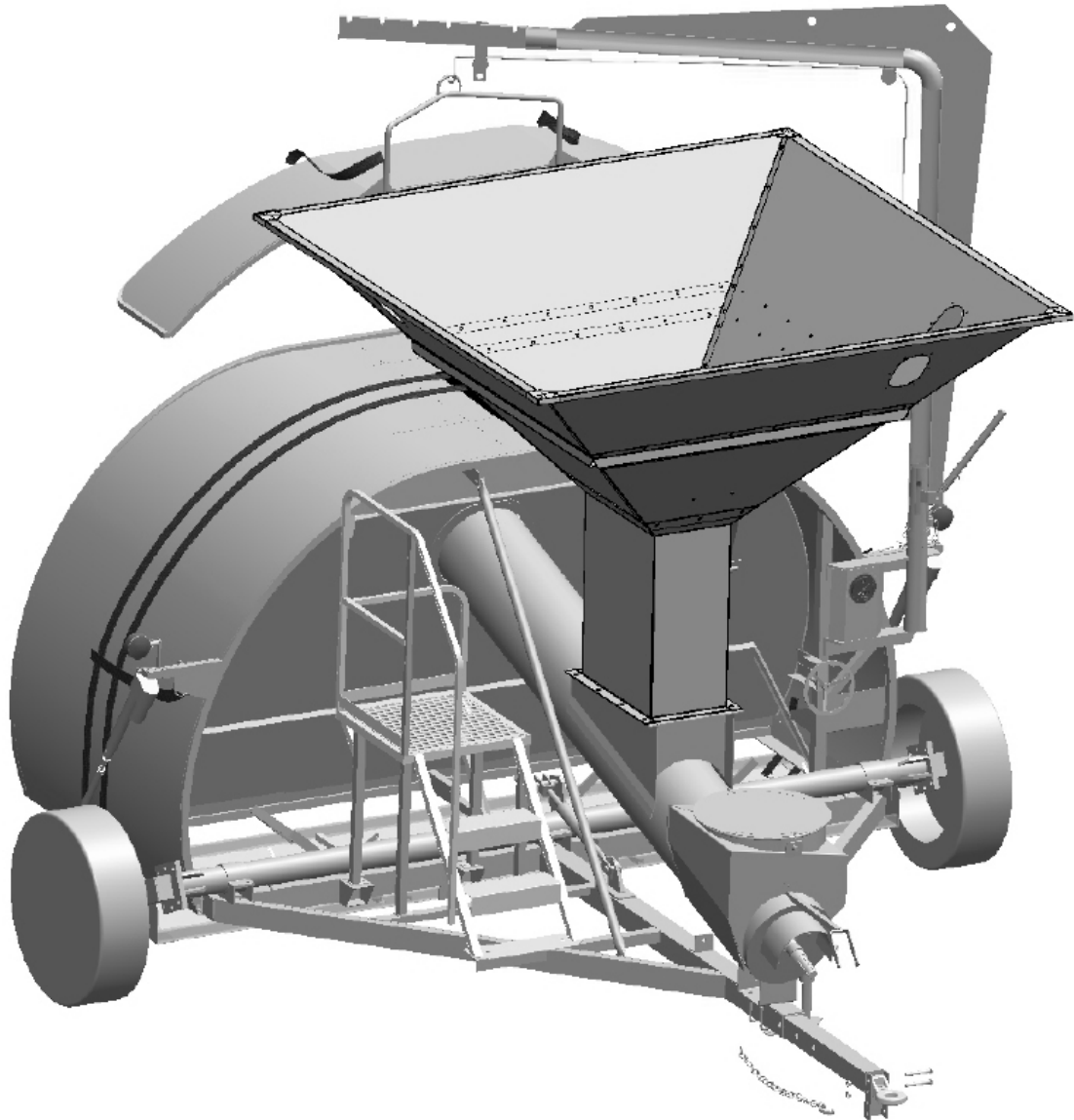


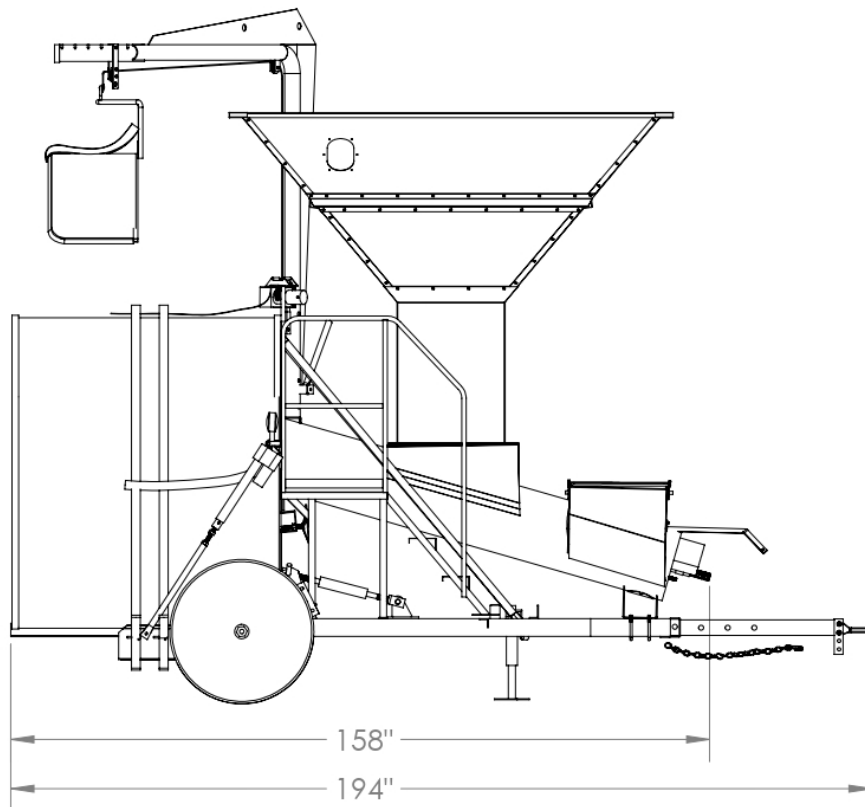
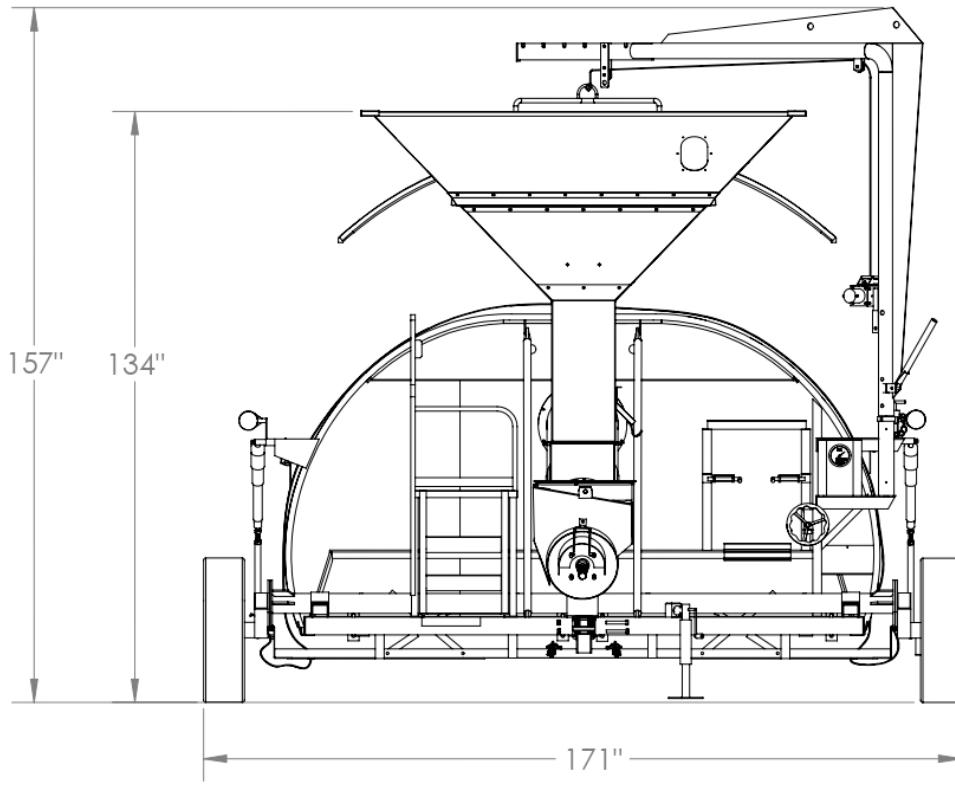
# PRO GRAIN

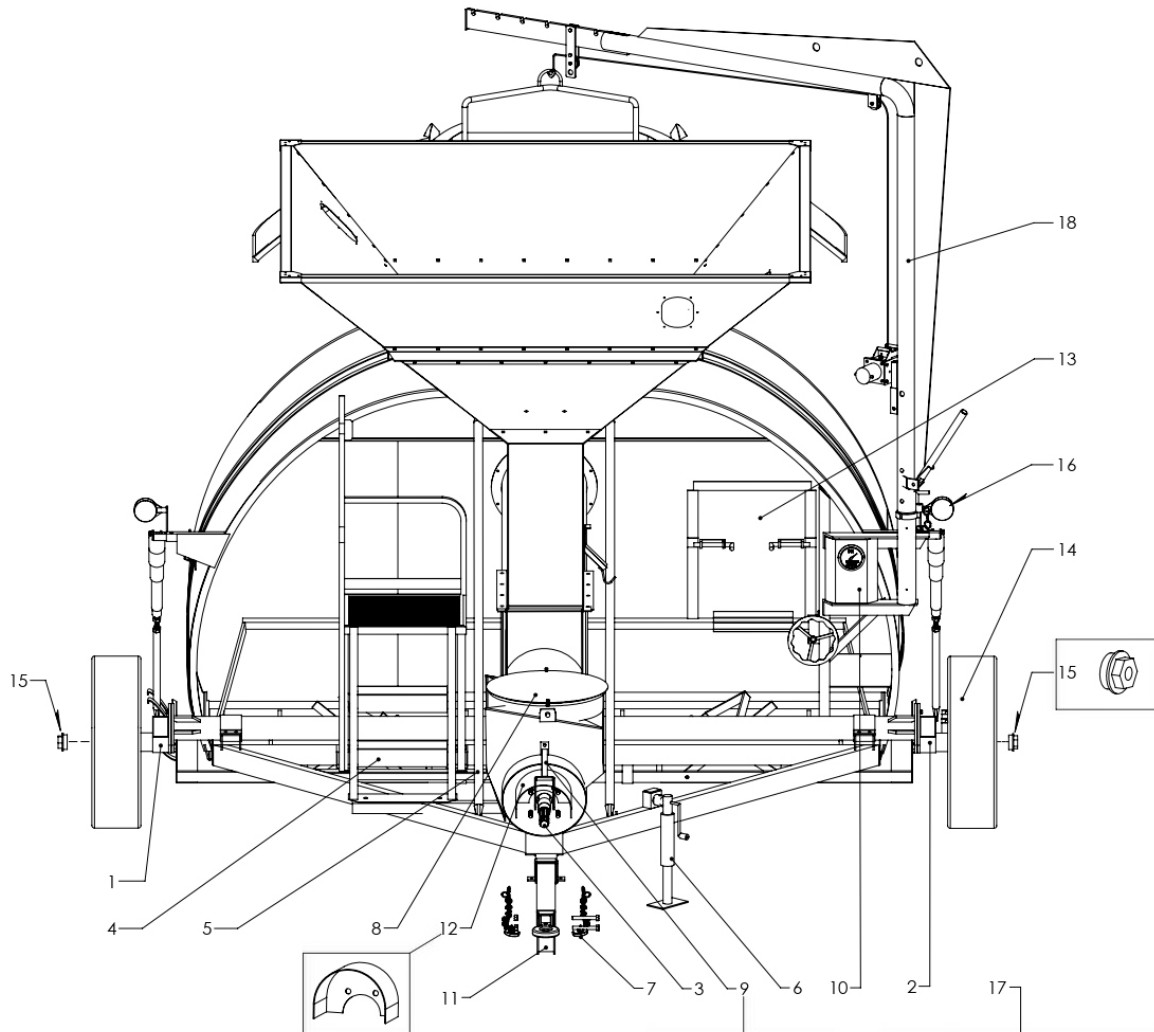
EQUIPMENT



## PRO GRAIN BAGGER B-1610 PARTS MANUAL

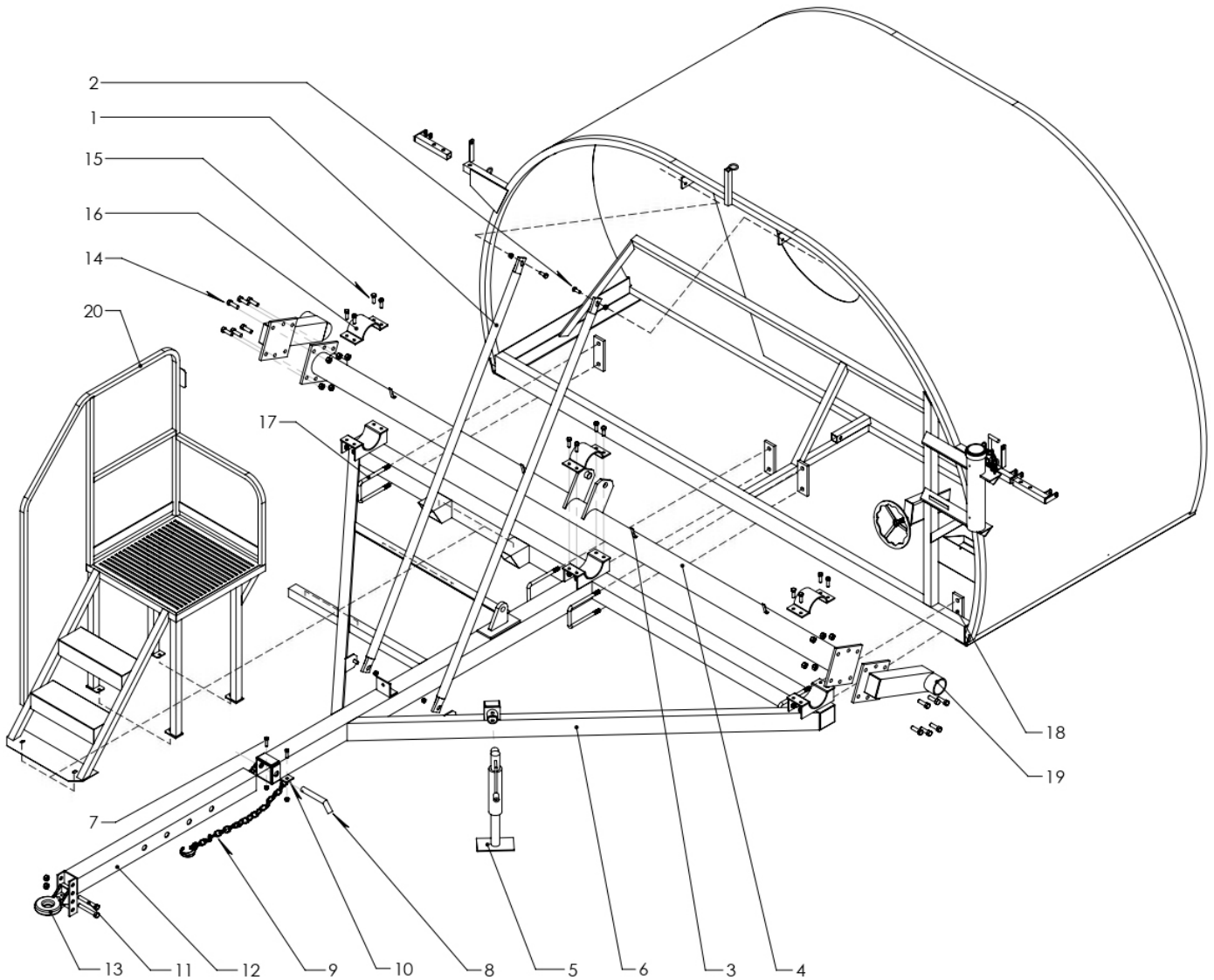
|                   |    |
|-------------------|----|
| Dimension         | 3  |
| Tunnel            | 4  |
| A-frame & axle    | 5  |
| Auger & flighting | 6  |
| Hopper            | 8  |
| Bag pan & arm     | 9  |
| Bag boom          | 10 |
| Cradle & jack     | 11 |
| Strap             | 12 |
| Brake             | 13 |





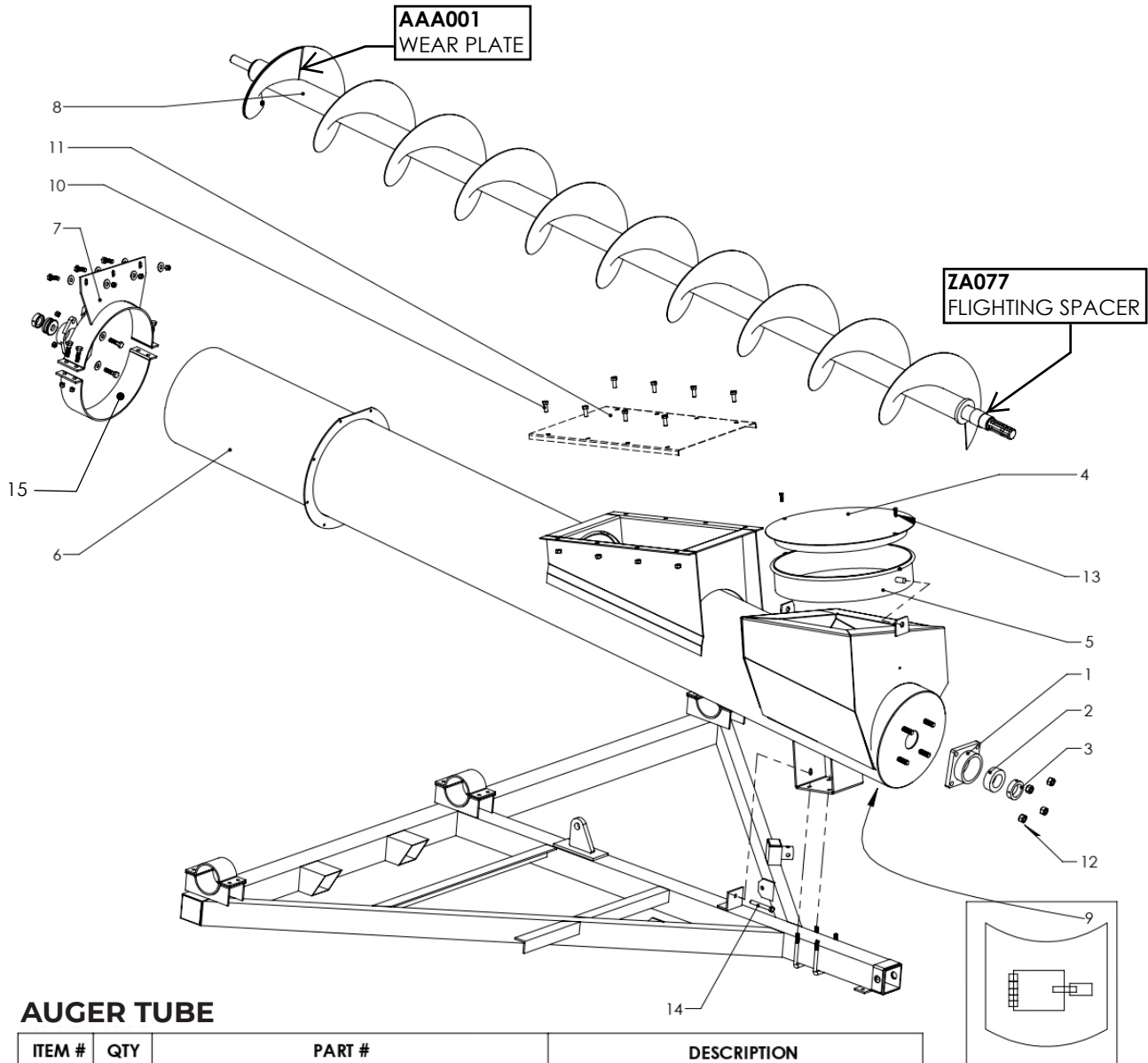
**TUNNEL**

| ITEM # | QTY | PART #         | DESCRIPTION               |
|--------|-----|----------------|---------------------------|
| 1      | 1   | AAT001R        | RIGHT AXLE STUB           |
| 2      | 1   | AAT001L        | LEFT AXLE STUB            |
| 3      | 1   | AAA042         | DIRECT DRIVE FLIGHTING    |
| 4      | 1   | AAT041         | PLATFORM                  |
| 5      | 2   | AAT007         | A-FRAME TO TUNNEL SUPPORT |
| 6      | 1   | TJP2001B       | 10" TOP WIND JACK         |
| 7      | 2   | AASC00148      | SAFETY CHAIN              |
| 8      | 1   | AAT011         | CONVEYOR INLET COVER      |
| 9      | 1   | AAT018         | PTO HOLDER                |
| 10     | 1   | AAT028         | ELECTRICAL CONTROL BOX    |
| 11     | 1   | AAT006         | A-FRAME HITCH             |
| 12     | 1   | AAT088         | PTO METAL GUARD           |
| 13     | 1   | AAT029         | WINDOW VIEW DOOR          |
| 14     | 2   | TIRLT235/85R16 | BAGGER TIRES              |
| 15     | 2   | RG04-230       | OIL CAP KIT               |
| 16     | 2   | CP202 RA       | RED AMBER SIGNAL LIGHT    |
| 17     | 1   | 262-26769      | PTO                       |
| 18     | 1   | AABB002        | BAG BOOM                  |



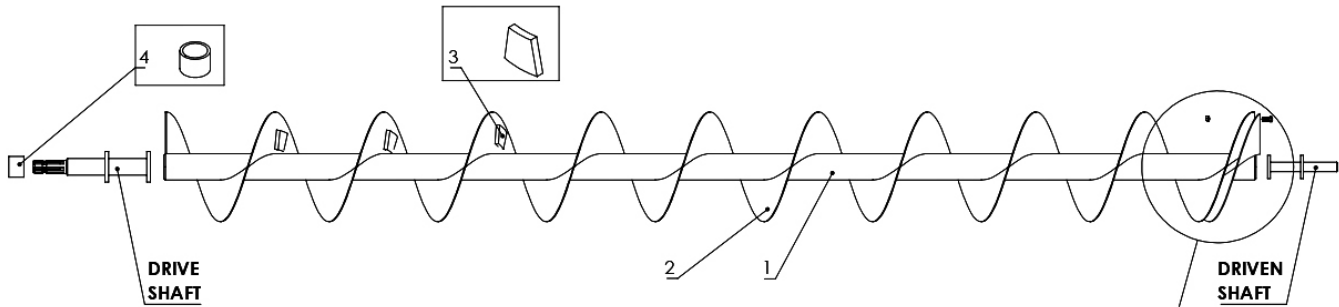
**A-FRAME & AXLE**

| ITEM# | QTY | PART #    | DESCRIPTION                    | ITEM# | QTY | PART #        | DESCRIPTION                     |
|-------|-----|-----------|--------------------------------|-------|-----|---------------|---------------------------------|
| 1     | 2   | AAT007    | A-FRAME TO TUNNEL SUPPORT      | 11    | 1   |               | 5/8"X4-1/2" BOLT & NYLOCK NUT   |
| 2     | 4   |           | 1/2"X1- 1/2" BOLT & NYLOCK NUT | 12    | 1   | AAT006        | A-FRAME HITCH c/w PPI-126VR     |
| 3     | 4   |           | HYDRAULIC HOSE TIGHTENER       | 13    | 1   | PPI-126<br>VR | BASE HITCH, CAST                |
| 4     | 1   | AAT009    | AXLE                           | 14    | 12  |               | 5/8"X2" BOLT & NYLOCK NUT       |
| 5     | 1   | TJP2001B  | 10" WIND UP JACK               | 15    | 12  |               | 1/2"X1-1/2" BOLT & NYLOCK NUT   |
| 6     | 1   | AAT005    | A-FRAME                        | 16    | 3   | ZAF002        | AXLE SADDLE                     |
| 7     | 2   |           | 7/16"X1-1/2" BOLT & NYLOCK NUT | 17    | 4   |               | 5/8" X 4-1/8"ID X 7-1/2" U-BOLT |
| 8     | 1   |           | 1" X 5-1/4" HITCH PIN          | 18    | 4   | ZT009         | A-FRAME MOUNT PLATE             |
| 9     | 2   | AASC00148 | SAFETY CHAIN                   | 19    | 2   | AAT001        | AXLE STUB (LEFT & RIGHT)        |
| 10    | 1   |           | SAFETY CHAIN MOUNT             | 20    | 1   | AAT041        | PLATFORM                        |



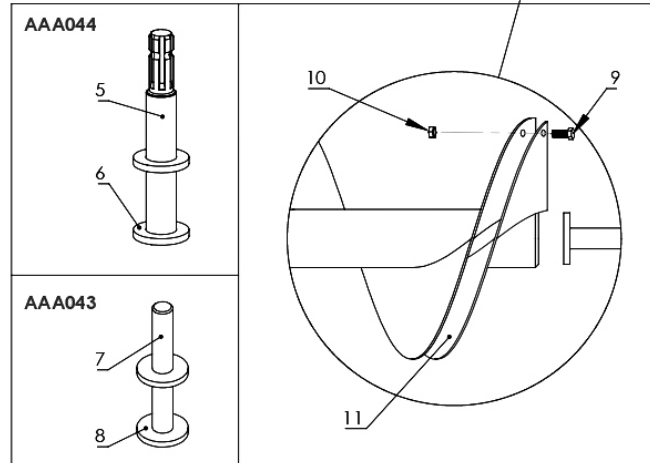
**AUGER TUBE**

| ITEM # | QTY | PART #              |                                   | DESCRIPTION            |
|--------|-----|---------------------|-----------------------------------|------------------------|
| 1      | 1   | UELFU211-203N1D1NTN | FU211N1D1 NTN                     | 2-3/16" DUCTILE FLANGE |
| 2      | 1   |                     | UEL211-203D1 NTN                  | * 2-3/16" BEARING      |
| 3      |     |                     |                                   | * 2-3/16" LOCK COLLAR  |
| 4      | 1   | AAT011              | TRANSFER AUGER INLET COVER        |                        |
| 5      | 1   | AAA014              | TRANSFER AUGER INLET SWIVEL       |                        |
| 6      | 1   | AAA003              | AUGER TUBE                        |                        |
| 7      | 1   | AAA004              | BX6, B-1610 REAR AUGER SUPPORT    |                        |
| 8      | 1   | AAA042              | B-1610 SPLINED FLIGHTING          |                        |
| 9      | 1   | AAA045              | AUGER CLEAN OUT HINGED COVER      |                        |
| 10     | 8   |                     | 1/2"x1-1/4" BOLT & FLANGE NUT     |                        |
| 11     | 1   | AAT002              | HOPPER INLET COVER (IF NO HOPPER) |                        |
| 12     | 4   |                     | 5/8"x2" NYLOCK NUT                |                        |
| 13     | 2   |                     | 5/16"x1" BOLT                     |                        |
| 14     | 1   |                     | 1/2"x4" FASTENER BOLT             |                        |
| 15     | 1   | ZA013               | REAR AUGER SUPPORT BOTTOM         |                        |



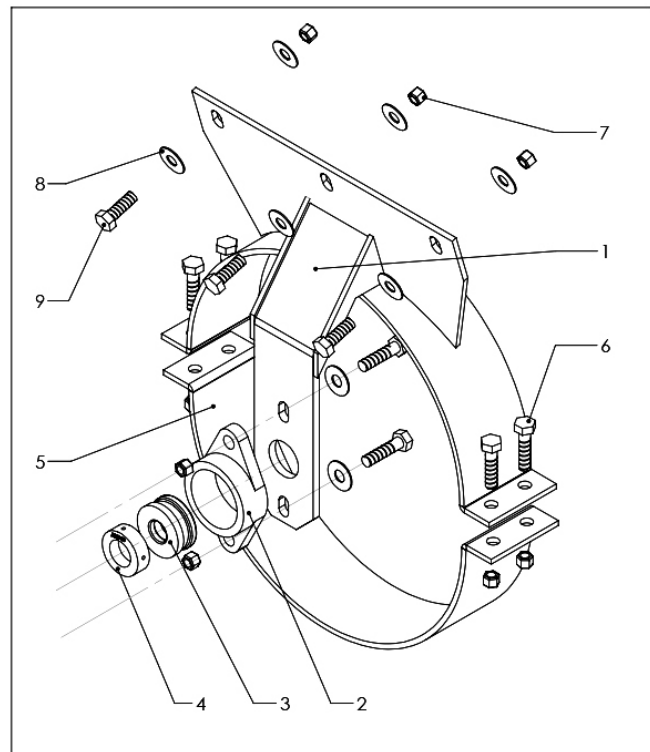
**AUGER FLIGHTING SPLINE DIRECT DRIVE (AAA042)**

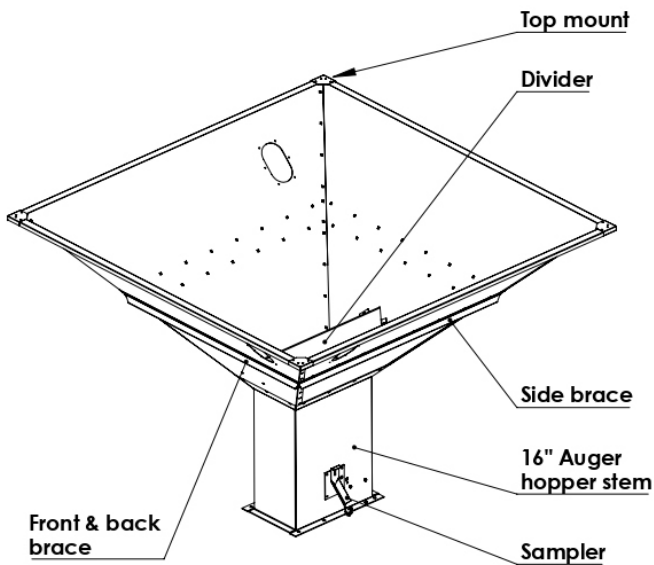
| ITEM # | QTY | PART #     | DESCRIPTION                             |
|--------|-----|------------|---|
| 1      | 1   |            | 3" STD PIPEX144-1/2"                    |
| 2      | 1   |            | 14-1/2" FLIGHTINGX144"                  |
| 3      |     |            | 2-3/4"X1-7/8"X2-1/2"X1/2" BALANCE METAL |
| 4      | 1   | ZA077      | 2-3/4"OD x .25" MECH TUBE, SPACER       |
| 5      | 1   | AAA ZA061L | 2-3/16" SPLINE SHAFT X 15.54"           |
| 6      | 2   | 044        | DRIVE SHAFT DONUT (BOTTOM)              |
| 7      | 1   | AAA        | 1-1/4" CR RD X 9-1/4"                   |
| 8      | 2   | 043        | DRIVEN SHAFT DONUT(TOP)                 |
| 9      | X3  |            | 1/2" X 1-14" BOLT                       |
| 10     | X3  |            | 1/2" FLANGE NUT                         |
| 11     | 1   | AAA001     | 16" FLIGHTING WEAR PLATE                |



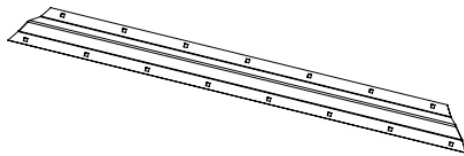
**REAR AUGER SUPPORT FOR BX6 / B-1610 (AAA004)**

| ITEM # | QTY | PART #   | DESCRIPTION              |
|--------|-----|----------|--------------------------|
| 1      | 1   | AAA047   | REAR AUGER SUPPORT MOUNT |
| 2      | 1   | FL207    | 2-HOLE FLIGHTING FLANGE  |
| 3      | 1   | SA207-20 | *1-1/4" BEARING          |
| 4      |     |          | *1-1/4" LOCK COLLAR      |
| 5      | 1   | ZA013    | BOTTOM                   |
| 6      | 6   |          | 1/2"X2" BOLT             |
| 7      | 9   |          | 1/2" NYLOCK NUT          |
| 8      | 8   |          | 1/2" FLAT WASHER         |
| 9      | 3   |          | 1/2"X1-1/2" BOLT         |





**FRONT & BACK BRACE**

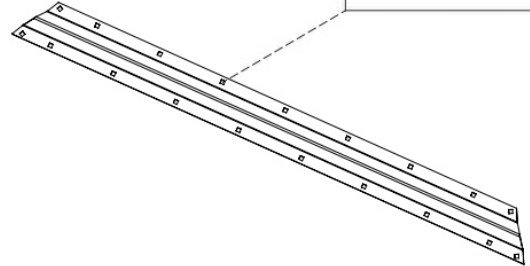


**TOP MOUNT**



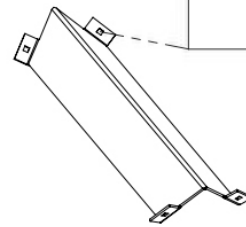
**SIDE BRACE**

3/8"x3/4"  
Carriage bolt(x116)

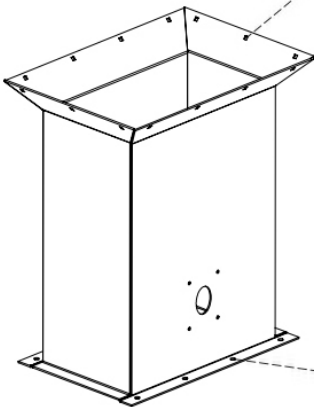


**DIVIDER**

7/16"x1"  
Carriage bolt(x4)



**STEM**



7/16"x1"  
Carriage bolt(x14)



1/2"x1-1/4"  
bolt(x8)



**SAMPLER**

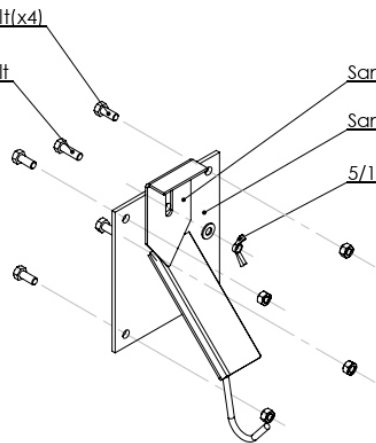
5/16"x3/4" bolt(x4)

5/16"x3/4" bolt

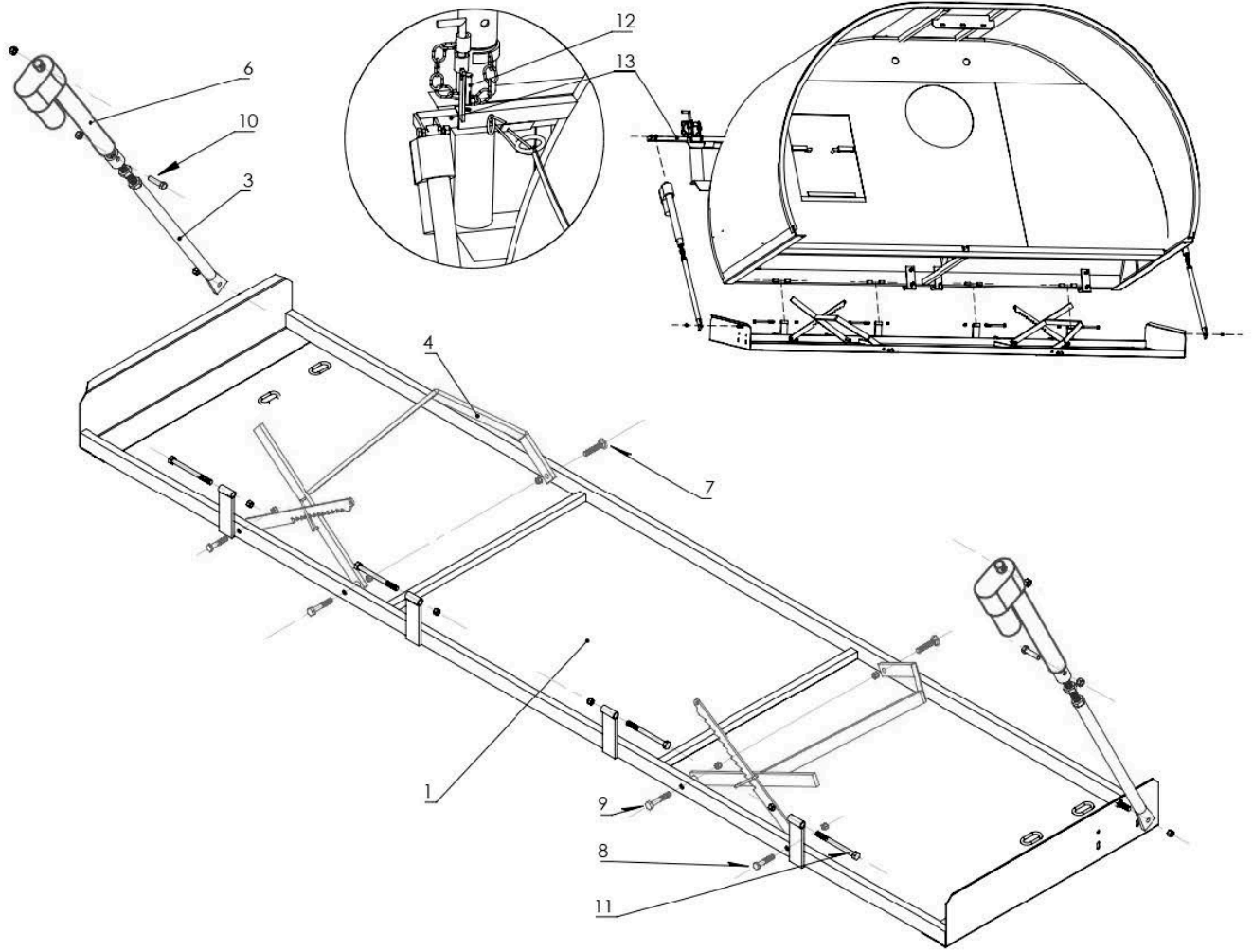
Sampler slide

Sampler plate

5/16" Wing nut

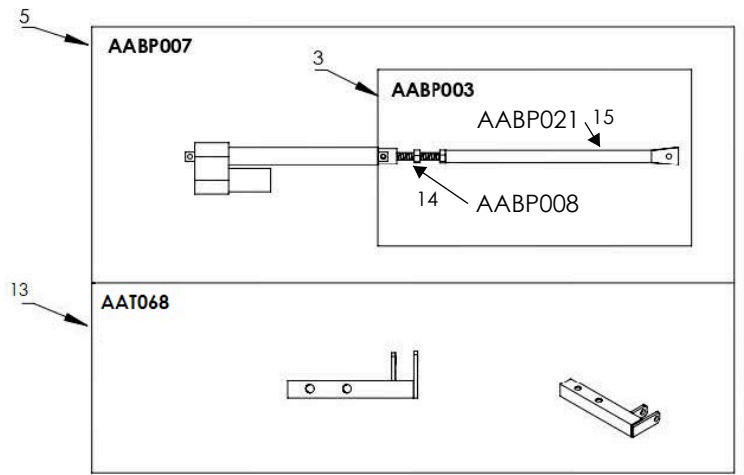






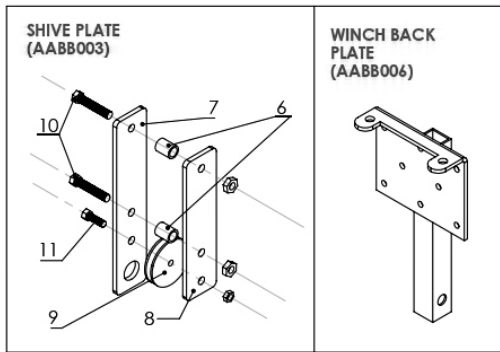
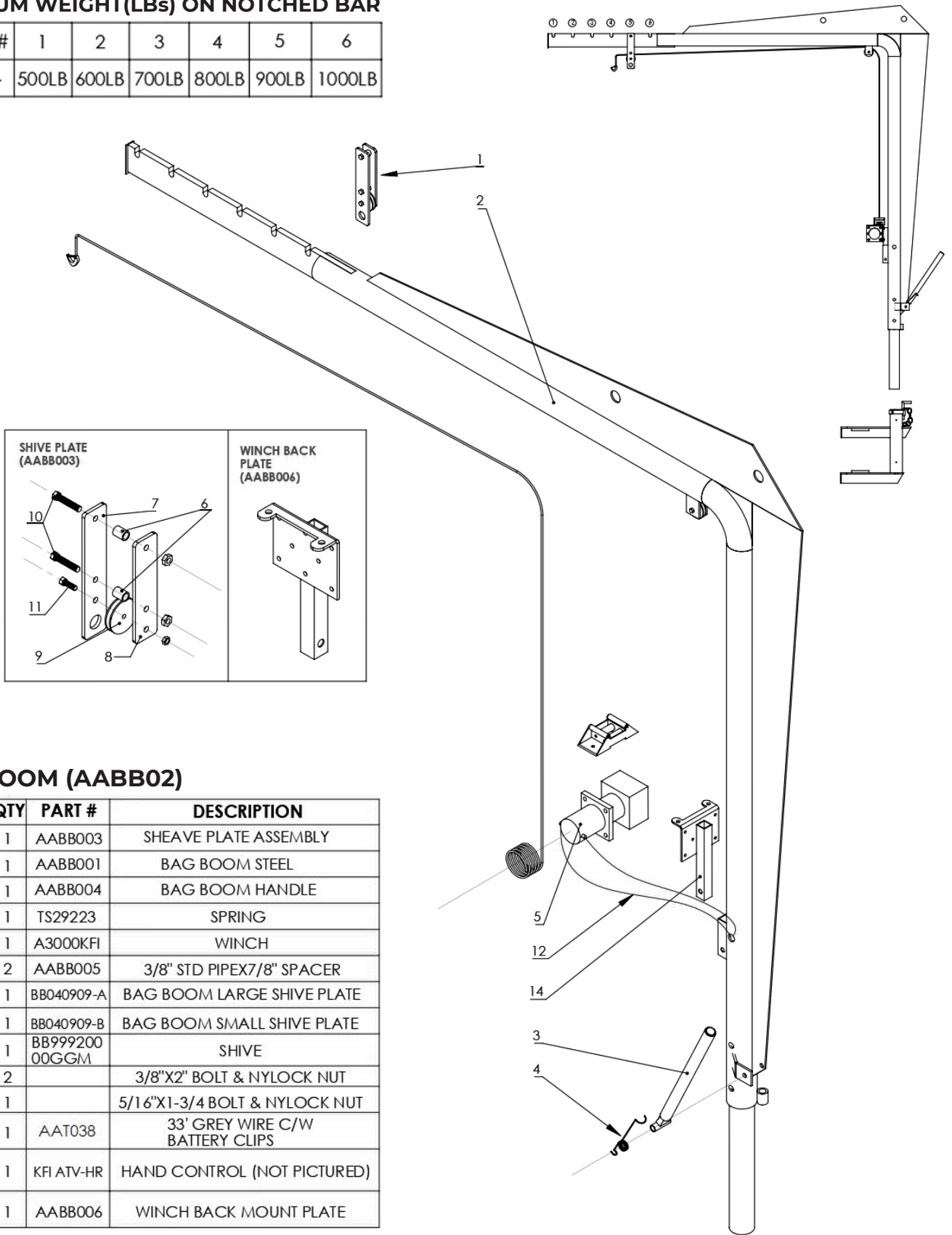
**BAG PAN**

| ITEM # | QTY | PART#   | DESCRIPTION                        |
|--------|-----|---------|------------------------------------|
| 1      | 1   | AABP001 | BAG PAN STEEL                      |
| 3      | 2   | AABP003 | BAG PAN ARM (ATTACHES TO ACTUATOR) |
| 4      | 1   | AABP004 | BAG LIFTER+ RATCHET BAR            |
| 5      | 2   | AABP007 | BAG PAN ARMS+ACTUATOR              |
| 6      | 2   | HBDJ808 | ACTUATOR ONLY                      |
| 7      | 2   |         | 1/2"X2-1/2" CARRIAGE BOLT          |
| 8      | 2   |         | 1/2"X2-1/2" BOLT                   |
| 9      | 2   |         | 1/2"X3" BOLT                       |
| 10     | 2   |         | 1/2"X2" BOLT                       |
| 11     | 4   |         | 1/2"X6" BOLT                       |
| 12     | 2   |         | 1/2"X3" CLEVIS BOLT                |
| 13     | 2   | AAT068  | BAG PAN ARM MOUNT                  |
| 14     | 2   | AABP008 | BAG PAN ARM ADJUSTMENT BOLT        |
| 15     | 2   | AABP021 | BAG PAN ARM PIPE                   |



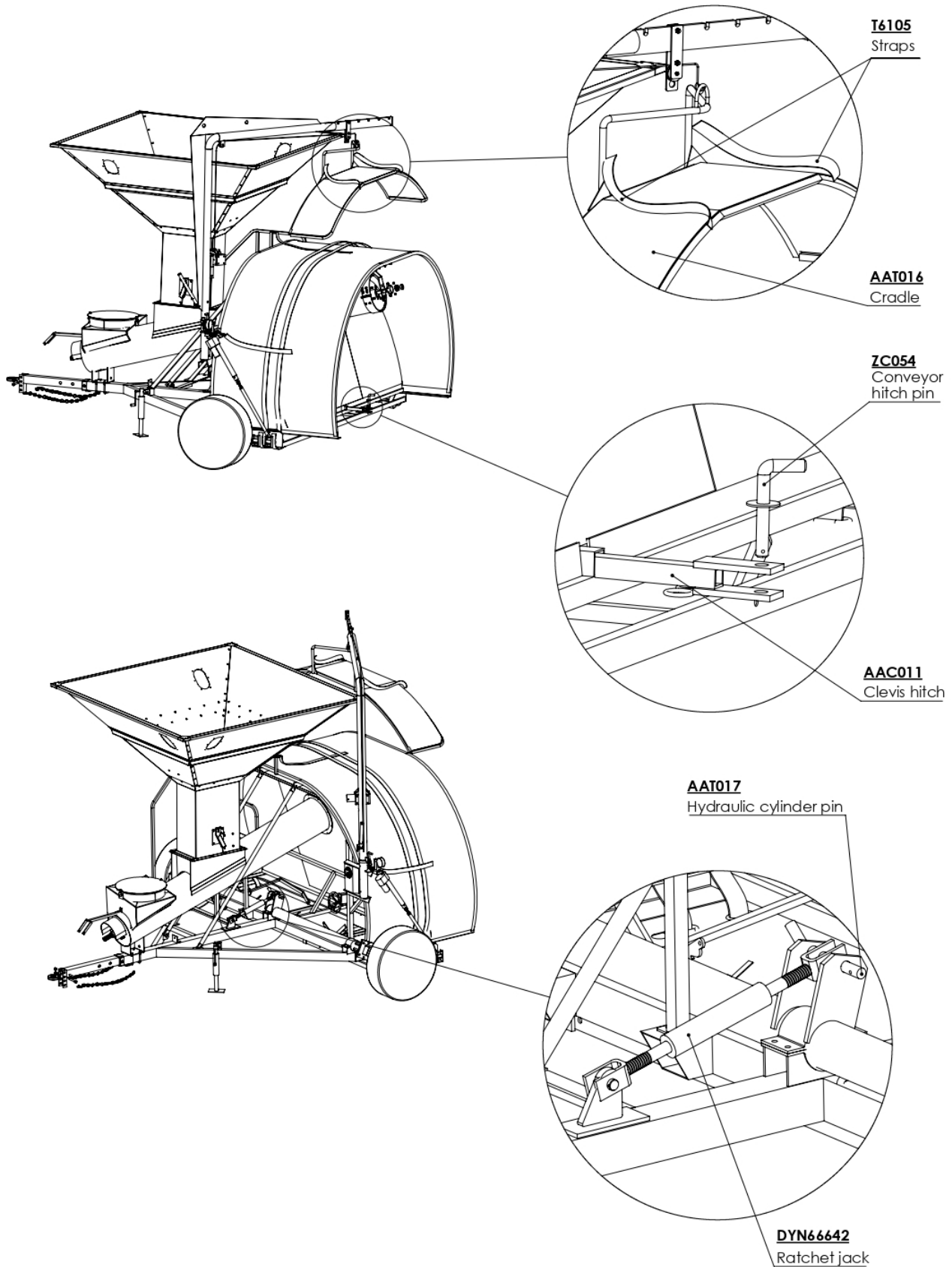
**MAXIMUM WEIGHT(LBs) ON NOTCHED BAR**

|            |       |       |       |       |       |        |
|------------|-------|-------|-------|-------|-------|--------|
| NOTCH #    | 1     | 2     | 3     | 4     | 5     | 6      |
| MAX WEIGHT | 500LB | 600LB | 700LB | 800LB | 900LB | 1000LB |



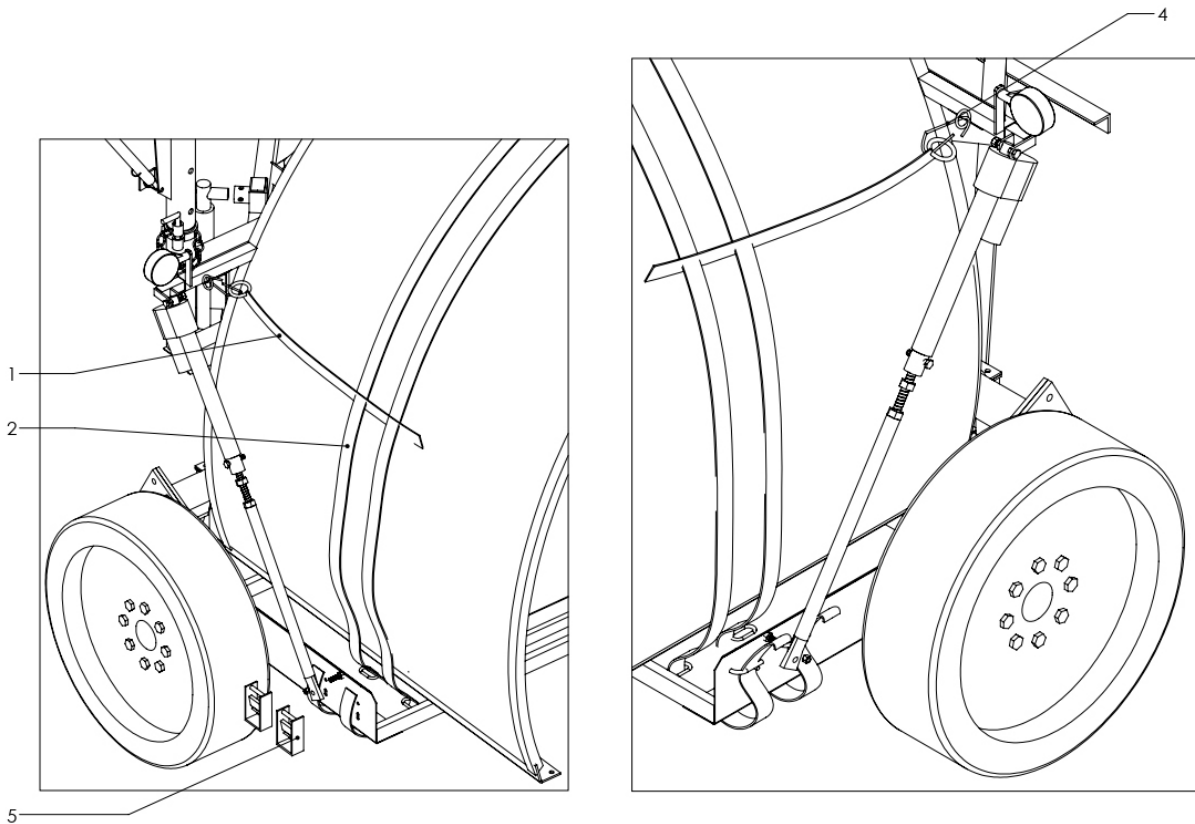
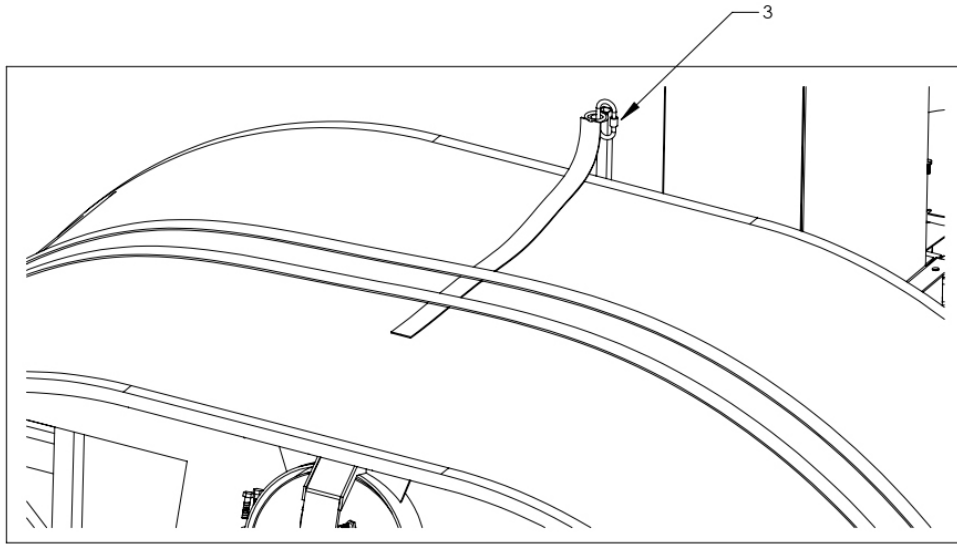
**BAG BOOM (AABB02)**

| ITEM # | QTY | PART #        | DESCRIPTION                     |
|--------|-----|---------------|---------------------------------|
| 1      | 1   | AABB003       | SHEAVE PLATE ASSEMBLY           |
| 2      | 1   | AABB001       | BAG BOOM STEEL                  |
| 3      | 1   | AABB004       | BAG BOOM HANDLE                 |
| 4      | 1   | TS29223       | SPRING                          |
| 5      | 1   | A3000KFI      | WINCH                           |
| 6      | 2   | AABB005       | 3/8" STD PIPEX7/8" SPACER       |
| 7      | 1   | BB040909-A    | BAG BOOM LARGE SHIVE PLATE      |
| 8      | 1   | BB040909-B    | BAG BOOM SMALL SHIVE PLATE      |
| 9      | 1   | BB99920000GGM | SHIVE                           |
| 10     | 2   |               | 3/8"X2" BOLT & NYLOCK NUT       |
| 11     | 1   |               | 5/16"X1-3/4 BOLT & NYLOCK NUT   |
| 12     | 1   | AAT038        | 33' GREY WIRE C/W BATTERY CLIPS |
| 13     | 1   | KFI ATV-HR    | HAND CONTROL (NOT PICTURED)     |
| 14     | 1   | AABB006       | WINCH BACK MOUNT PLATE          |



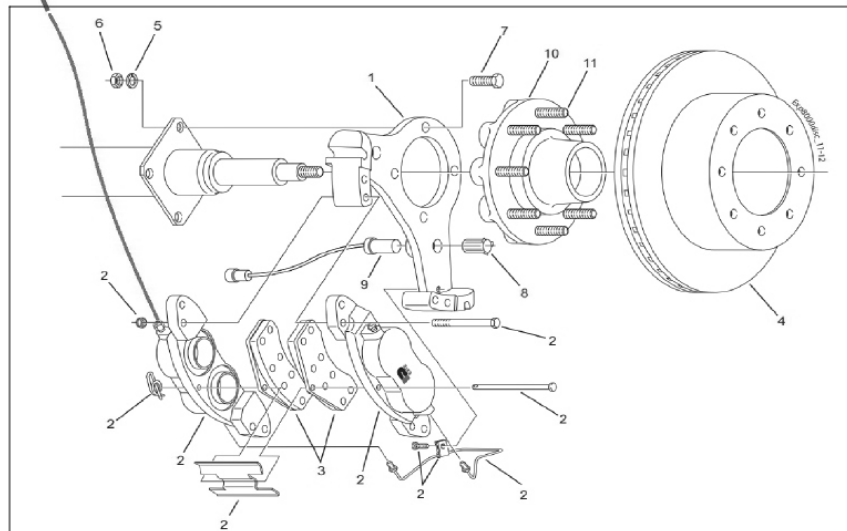
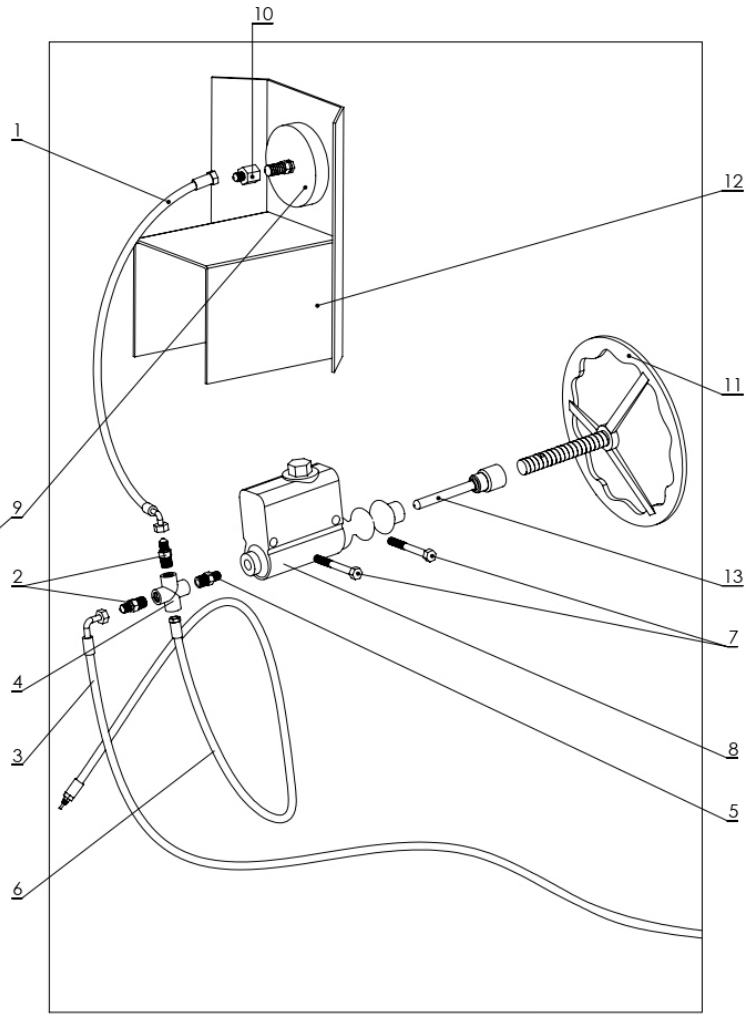
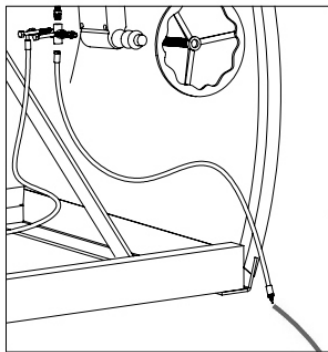
**STRAP ASSEMBLY**

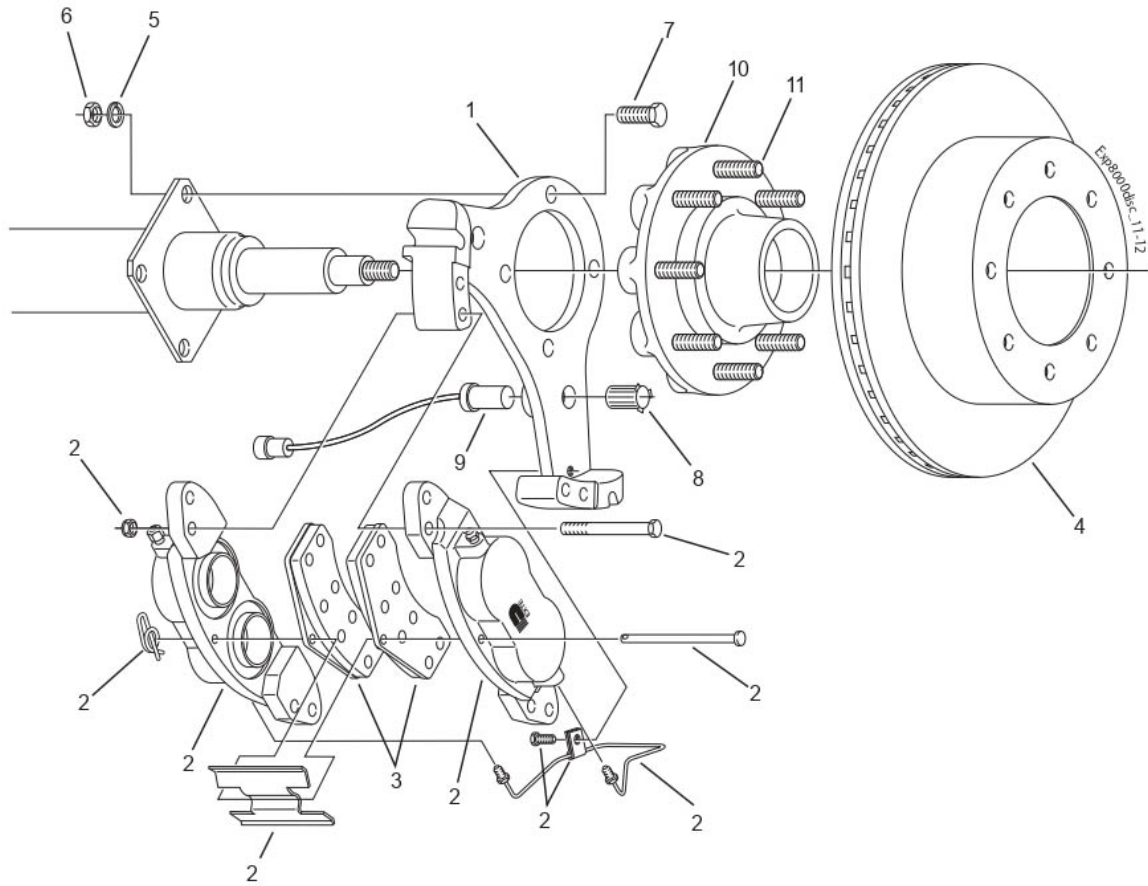
| ITEM # | QTY | PART # | DESCRIPTION                  |
|--------|-----|--------|------------------------------|
| 1      | 3   | AAT025 | 34" STRAP                    |
| 2      | 2   |        | 24' 6" STRAP                 |
| 3      | 1   |        | 3/8" QUICK LOCK(TOP)         |
| 4      | 2   |        | 1/4" SNAP LOCK(SIDES)        |
| 5      | 2   | 811    | RATCHET BOLTED ON TO BAG PAN |



**8000 LBS BRAKE**

| ITEM # | QTY | PART #                   | DESCRIPTION                   |
|--------|-----|--------------------------|-------------------------------|
| 1      | 1   | T1SN4C30FJ90BFJB         | 1/4"x30" Hose                 |
| 2      | 2   | S3748-4B/2404-04-04      | Fitting                       |
| 3      | 1   | T1SN4C170FJ90BM13        | 1/4"x170" Hose                |
| 4      | 1   | S1002-B/5652-04-04-04-04 | 1/4" Cross tee                |
| 5      | 1   | S1022-BA/5404-04-02      | Brake master cylinder fitting |
| 6      | 1   | T1SN4C54MPM13            | 1/4"x54" Hose                 |
| 7      | 2   | 3/8"x3" BOLT             |                               |
| 8      | 1   | L31-23744                | Brake master cylinder         |
| 9      | 1   | FG42CXB3000PSI-1/4NPT    | Pressure gauge                |
| 10     | 1   | S3746-4B/2405-04-04      | Adaptor                       |
| 11     | 1   | AAT027                   | Brake pressure wheel          |
| 12     | 1   | AAT028                   | Electric box                  |
| 13     | 1   | AAT059                   | Brake plunge                  |





**Disc Brake 8000#**

| Item | Part No.     | Qty/Brk | Description                                     |
|------|--------------|---------|---|
| 1    | 090-003-01   | 1       | Anchor Yoke                                     |
| 2    | K71-630-00   | 1       | Caliper Assembly Kit for LH or RH Contains:     |
|      | 4 006-045-00 |         | Caliper Mounting Nut                            |
|      | 4 007-254-00 |         | Caliper Mounting Bolt                           |
|      | 1 019-019-00 |         | Cotter Ring                                     |
|      | 1 027-060-00 |         | Tube Clamp                                      |
|      | 1 046-145-00 |         | Anti-Rattle Spring                              |
|      | 1 054-092-00 |         | Bleeder Screw                                   |
|      | 1 054-094-00 |         | Adapter Fitting                                 |
|      | 1 056-038-00 |         | Pad Retaining Pin                               |
|      | 1 071-513-00 |         | Cross Over Hydraulic Line (yokes without notch) |
|      | 1 071-518-00 |         | Cross Over Hydraulic Line (yokes with notch)    |
|      | 1 087-002-00 |         | Hex Bolt  |
|      | 2 089-003-02 |         | Assembled Caliper Half                          |
| 3    | K71-629-00   | 1       | Brake Pad Kit (axle set)                        |
| 4    | K71-631-00   | 1       | Rotor Kit                                       |
| 5    | 005-058-00   | 4       | 1/2" Lock Washer                                |
| 6    | 006-129-01   | 4       | 1/2" Hex Nut                                    |
| 7    | 007-097-00   | 4       | 1/2" Brake Mounting Bolt                        |
| 8    | 097-002-00   | 1       | ABS Sensor Retaining Clip                       |
| 9    | 097-004-00   | 1       | ABS Sensor (straight)                           |

**Disc Brake Hubs & Studs**

| Item | Part No.   | Qty/Brk | Description                   |
|------|------------|---------|-------------------------------|
| 10   | 008-399-05 | 1       | Grease 9/16" Studs 8 on 6.50  |
| 10   | 008-399-06 | 1       | Oil 9/16" Studs 8 on 6.50     |
| 10   | 008-399-07 | 1       | Grease 5/8" Studs 8 on 6.50   |
| 10   | 008-399-08 | 1       | Oil 5/8" Studs 8 on 6.50      |
| 11   | 007-257-00 | 8       | 9/16-18 x 2.50" Press-in Stud |
| 11   | 007-115-00 | 8       | 5/8-18 x 3.16" Press-in Stud  |

**Disc Brake 8000# With 50MM Nev-R-Lube®**

| Item | Part No.     | Qty/Brk | Description                                     |
|------|--------------|---------|---|
| 1    | 090-007-01   | 1       | Anchor Yoke                                     |
| 2    | K71-630-00   | 1       | Caliper Assembly Kit for LH or RH Contains:     |
|      | 4 006-045-00 |         | Caliper Mounting Nut                            |
|      | 4 007-254-00 |         | Caliper Mounting Bolt                           |
|      | 1 019-019-00 |         | Cotter Ring                                     |
|      | 1 027-060-00 |         | Tube Clamp                                      |
|      | 1 046-145-00 |         | Anti-Rattle Spring                              |
|      | 1 054-092-00 |         | Bleeder Screw                                   |
|      | 1 054-094-00 |         | Adapter Fitting                                 |
|      | 1 056-038-00 |         | Pad Retaining Pin                               |
|      | 1 071-513-00 |         | Cross Over Hydraulic Line (yokes without notch) |
|      | 1 071-518-00 |         | Cross Over Hydraulic Line (yokes with notch)    |
|      | 1 087-002-00 |         | Hex Bolt  |
|      | 2 089-003-02 |         | Assembled Caliper Half                          |
| 3    | K71-629-00   | 1       | Brake Pad Kit (axle set)                        |
| 4    | K71-631-00   | 1       | Rotor Kit                                       |
| 5    | 005-058-00   | 4       | 1/2" Lock Washer                                |
| 6    | 006-129-01   | 4       | 1/2" Hex Nut                                    |
| 7    | 007-097-00   | 4       | 1/2" Brake Mounting Bolt                        |
| 8    | 097-002-00   | 1       | ABS Sensor Retaining Clip                       |
| 9    | 097-004-00   | 1       | ABS Sensor (straight)                           |

**Nev-R-Lube® Disc Brake Hubs**

| Item | Part No.   | Qty/Brk | Description                   |
|------|------------|---------|-------------------------------|
| 10   | 008-402-80 | 1       | 9/16" Studs, 50mm 8 on 6.50   |
| 10   | 008-402-81 | 1       | 5/8" Studs, 50mm 8 on 6.50    |
| 11   | 007-257-00 | 8       | 9/16-18 x 2.50" Press-in Stud |
| 11   | 007-115-00 | 8       | 5/8-18 x 3.16" Press-in Stud  |



**PRO GRAIN EQUIPMENT LTD.**

BOX 188  
COLONSAY, SK S0K 0Z0

**TEL. 306-255-2112**  
**FAX. 306-255-2113**